



## ELECTRICAL SPECIFICATIONS

<b>Multiturn resolution</b>	1 ... 12 bit <i>programmabile during commissioning</i>
<b>Singleturn resolution</b>	1 ... 13 bit <i>programmabile during commissioning</i>
<b>Power supply</b>	10 ... 30 V DC (with reverse polarity protection)
<b>Current consumption without load</b>	< 200 mA
<b>Electronic interface</b>	PROFINET IO RT Class 1 / Conformance Class B
<b>Encoder profile</b>	V 4.1 - Application Class 3
<b>Code type</b>	binary
<b>Max bus frequency</b>	100 Mbit/s
<b>Cycle time</b>	≤ 1 ms
<b>Accuracy</b>	± 0,04°
<b>Electromagnetic compatibility</b>	according to 2014/30/EU directive

## CONNECTIONS

	Pin	Function
PORT 1 Connector	1	Tx D+
	2	Rx D+
	3	Tx D-
	4	Rx D-
POWER connector	1	+Vdc
	2	/
	3	0V
	4	/
PORT 2 Connector	1	Tx D+
	2	Rx D+
	3	Tx D-
	4	Rx D-

## MECHANICAL SPECIFICATIONS

<b>Bore diameter</b>	∅ 15 / 12* / 10* mm
<b>Enclosure rating</b>	IP 65 (IEC 60529)
<b>Max rotation speed</b>	6000 rpm
<b>Max shaft load</b>	80 N radial / 40 N axial
<b>Starting torque (at +20°C / 68°F)</b>	< 0,05 Nm
<b>Moment of inertia</b>	approx 1,8 x 10 <sup>-6</sup> kgm <sup>2</sup>
<b>Shock</b>	50 G, 11 ms (IEC 60068-2-27)
<b>Vibrations</b>	10 G, 10 ... 2000 Hz (IEC 60068-2-6)
<b>Bearings life</b>	10 <sup>9</sup> revolutions
<b>Bearings</b>	n° 2 ball bearings
<b>Shaft material</b>	1.4305 / AISI 303 stainless steel
<b>Body / cover material</b>	EN-AW 2011 aluminium
<b>Housing material</b>	painted aluminium
<b>Flange material</b>	EN-AW 2011 aluminium
<b>Operating temperature</b>	-40° ... +80°C (-40° ... +176°F)
<b>Storage temperature</b>	-40° ... +85°C (-40° ... +185°F)
<b>Weight</b>	600 g (21 oz)

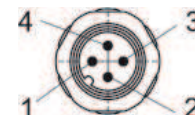
\* with optional adapter shaft



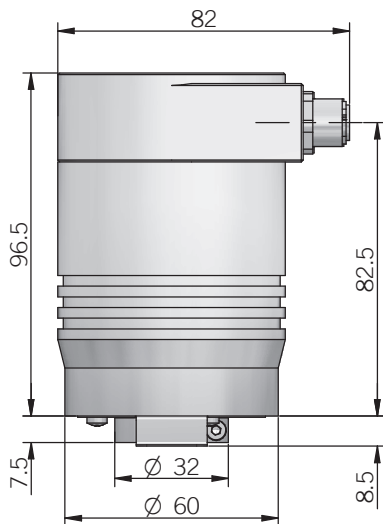
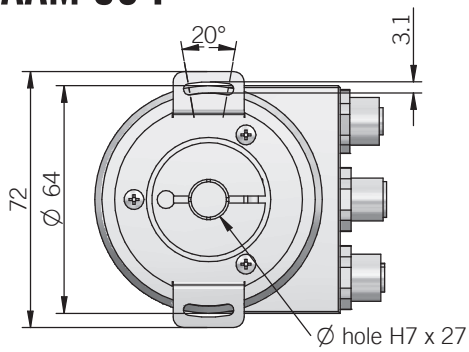
PORT 1 / 2 connector  
M12 D-coded (4-pin)  
(front view)



POWER connector  
M12 A-coded  
(front view)

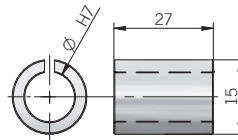


## AAM 58 F



## ACCESSORIES

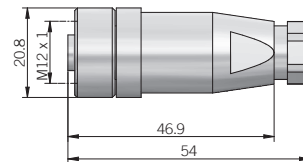
### Shaft adapter



Description	P/N
AAM 58 F adapter shaft 15/12 mm	41890398
AAM 58 F adapter shaft 15/10 mm	41890399

*For further shaft adapter diameters please directly contact our offices*

### M12 female connector for power supply (POWER) P/N 22030091



### M12 male connector for I/O (PORT 1 / 2) P/N 22030152

