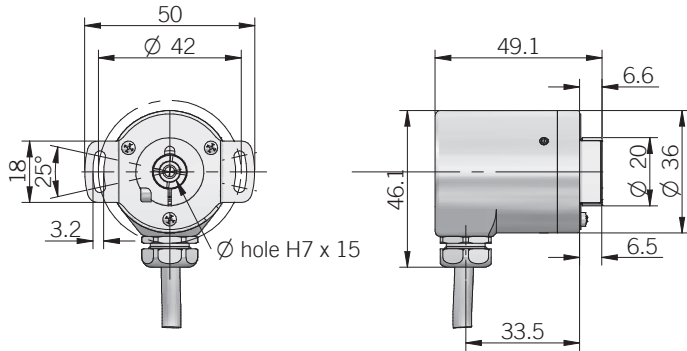




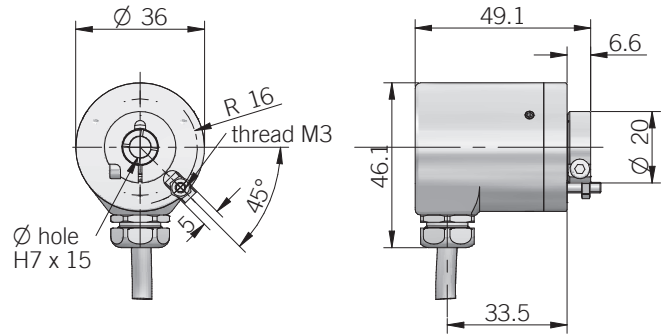


## EA 36 F



dimensions in mm

## EA 36 G



anti-rotation pin is included in model G, for mounting instruction please refer to product installation notes

### ELECTRICAL SPECIFICATIONS

<b>Singleturn resolution</b>	from 1 to 12 bit 360 / 720 ppr
<b>Power supply</b>	5 = 4,75 ... 5,25 V DC 8/30 = 7,6 ... 30 V DC (reverse polarity protection)
<b>Power draw without load</b>	< 400 mW
<b>Output type</b>	RS-422
<b>Code type</b>	binary or gray
<b>Auxiliary inputs (U/D - Reset)</b>	active high (+Vdc) connect to 0V if not used / Reset tmin 150 ms
<b>Clock frequency</b>	100 kHz ... 1 MHz
<b>SSI monostable time (Tm)</b>	20 µs
<b>SSI pause time (Tp)</b>	> 35 µs
<b>SSI frame</b>	(MSB ... LSB) 1 ... 12 bit = 13 bit data length
<b>Accuracy</b>	± 0,35° typical
<b>Counting direction</b>	decreasing clockwise (shaft view)
<b>Start-up time</b>	150 ms
<b>Electromagnetic compatibility</b>	IEC 61000-6-2 IEC 61000-6-4

### MECHANICAL SPECIFICATIONS

<b>Bore diameter</b>	ø 6 mm
<b>Enclosure rating</b>	IP 67 cover side / IP 65 shaft side (IEC 60529)
<b>Rotation speed</b>	8000 rpm continuous / 10000 rpm max
<b>Max shaft load</b>	20 N axial / radial
<b>Shock</b>	50 G, 11 ms (IEC 60068-2-27)
<b>Vibration</b>	20 G, 10 ... 2000 Hz (IEC 60068-2-6)
<b>Moment of inertia</b>	0,001 x 10 <sup>-6</sup> kgm <sup>2</sup>
<b>Starting torque (at +20°C / +68°F)</b>	< 0,01 Nm
<b>Body material</b>	EN-AW 2011 aluminium
<b>Shaft material</b>	1.4305 / AISI 303 stainless steel
<b>Housing material</b>	AISI 420 stainless steel
<b>Bearings</b>	2 ball bearings
<b>Bearings life</b>	10 <sup>9</sup> revolutions
<b>Operating temperature</b>	-20° ... +100°C (-4° ... +212°F)
<b>Storage temperature</b>	-20° ... +100°C (-4° ... +212°F)
<b>Fixing torque for collar clamping</b>	0,6 Nm recommended
<b>Weight</b>	150 g (5,29 oz)

### CONNECTIONS

Function	Cable output
+ Vdc	red
0 Volt	black
U / D	red/blue
data +	green
data -	brown
clock +	yellow
clock -	orange
RESET	white
⊥	shield