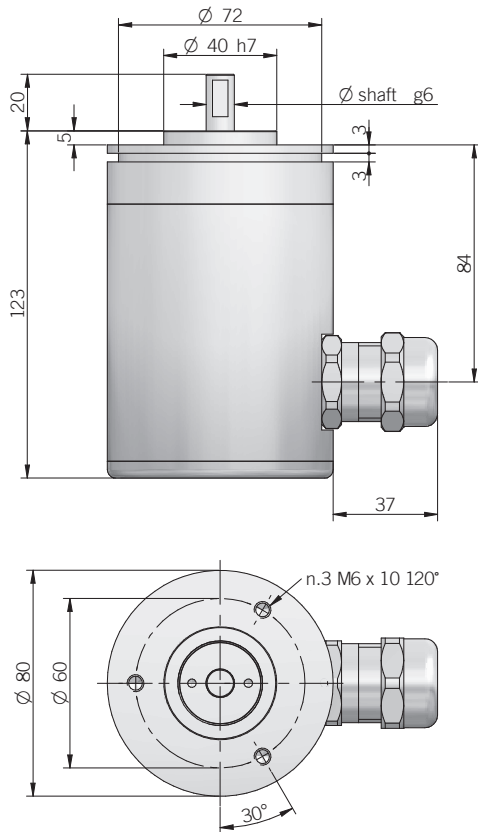
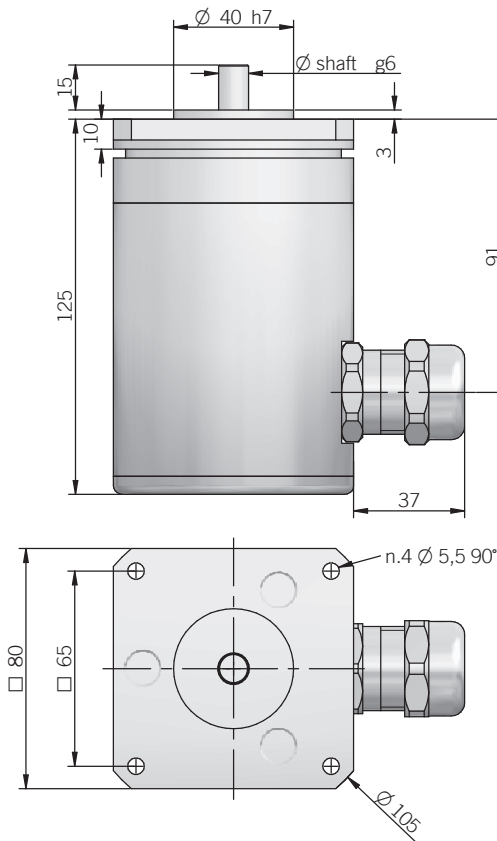


EAMX 80 A



EAMX 80 D



ELECTRICAL SPECIFICATIONS

Multiturn resolution	from 2 to 16384 turns
Singleturn resolution	from 2 to 8192 ppr
Power supply	8/28 = 7,6 ... 29,4 V DC
Current consumption without load	100 mA
Output type	RS-422
Auxiliary inputs (U/D)	active high (+Vdc) <i>connect to 0V if not used</i>
Clock frequency	100 kHz ... 1 MHz
SSI monostable time (Tm)	18 μ s
SSI pause time (Tp)	> 35 μ s
SSI frame	Tree format (MSB ... LSB) up to 12 bit multiturn = lenght 25 bit (12MT + 13ST) 13 to 14 bit multiturn = lenght 27 bit (14MT + 13ST)
Accuracy	\pm 1/2 LSB
Counting direction	decreasing clockwise (shaft view)
Start-up time	150 ms
Electromagnetic compatibility	IEC 61000-6-2 IEC 61000-6-4

MECHANICAL SPECIFICATIONS

Shaft diameter	\varnothing 10 mm	Enclosure rating	IP 65 (IEC 60529)
Max rotation speed	3000 rpm	Max shaft load	200 N axial / radial
Shock	50 G, 11 ms (IEC 60068-2-27)	Vibration	10 G, 10 ... 2000 Hz (IEC 60068-2-6)
Moment of inertia	$1,5 \times 10^{-6}$ kgm ²	Starting torque (at 20°C / +68°F)	< 0,03 Nm
Body material	anodized aluminum	Shaft material	1.4305 / AISI 303 stainless steel
Housing material	anodized aluminum	Bearings	2 ball bearings
Bearings life	10 ⁹ revolutions	Operating temperature	0° ... +50°C (+32° ... +122°F)
Storage temperature	-15° ... +70°C (+5° ... +158°F)	Weight	1200 g (42,33 oz)



ATEX MARKING

II 2GD
Ex d IIC T6 Gb
Ex tb IIIC T85°C Db
IP 65

II 2GD

II: group II: different than mines

2: category 2: high level of protection

GD: areas containing gas (G) and dust (D)

Ex d IIC T6 Gb

Ex d: flameproof enclosure for explosive atmospheres with gases, vapours and mists

IIC: group of gas IIC

T6: max surface temperature +85°C of the device for atmospheres with gas

Gb: product with a high level of protection

Ex tb IIIC T85°C Db

Ex tb: flameproof enclosure safety type

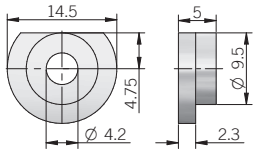
IIIC: group of dust combustibles IIIC

T85°C: max surface temperature +85°C of the device in the presence of dust

Db: product with a high level of protection

ACCESSORIES

set n.3 fixing clamps for model 80 A
 P/N 94080001



CONNECTIONS

Function	Cable output
+ Vdc	red
0 Volt	grey
data +	green
data -	brown
clock +	yellow
clock -	pink
U / D	blue
⏏	shield