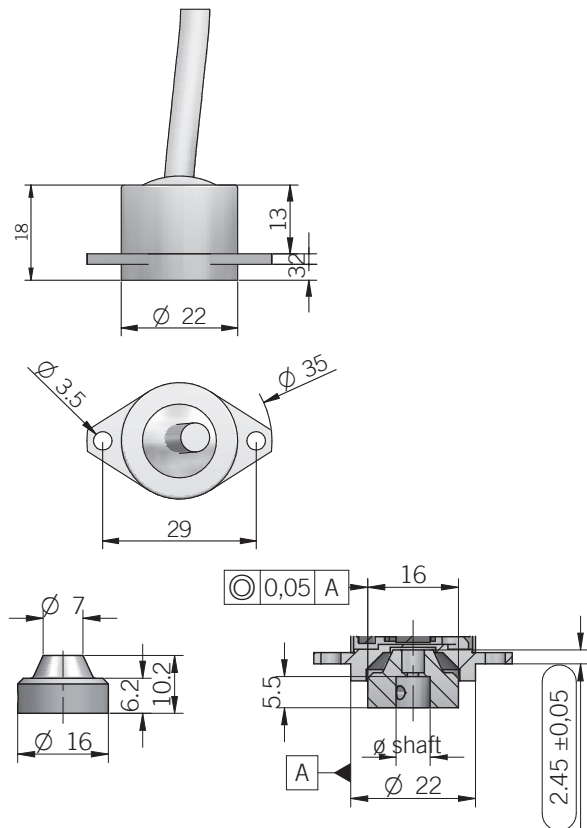
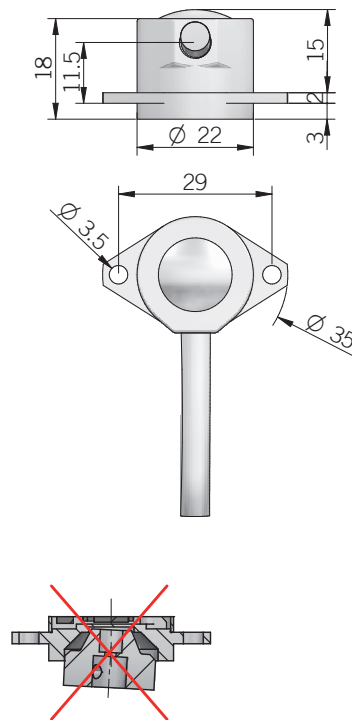


EMA 22 axial cable output



EMA 22 radial cable output



ELECTRICAL SPECIFICATIONS

| | |
|---|---|
| Resolution | from 8 to 8192 ppr |
| Power supply | 5 = 4,75 ... 5,25 V DC |
| Current consumption without load | 100 mA max |
| Output type | RS-422 |
| SSI output code | binary or gray |
| Clock frequency | 100 kHz ... 1 MHz |
| SSI monostable time (Tm) | 20 µs |
| SSI frame | (MSB ... LSB) 13 bit data length |
| Accuracy | ± 0,35° typical / ± 0,50° max |
| Counting direction | decreasing clockwise (magnet actuator view) |
| Electromagnetic compatibility | IEC 61000-6-1 IEC 61000-6-4 |

CONNECTIONS

| Function | Cable output |
|----------|--------------|
| + Vdc | red |
| 0 Volt | black |
| data + | green |
| data - | brown |
| clock + | yellow |
| clock - | orange |
| ⊥ | shield |

MECHANICAL SPECIFICATIONS

| | |
|--|---|
| Bore diameter (magnet actuator) | ∅ 6 / 8 / 9,52 (3/8") / 10 mm |
| Enclosure rating | IP 67 (IEC 60529) |
| Max rotation speed | 10000 rpm |
| Shock | 50 G, 11 ms (IEC 60068-2-27) |
| Vibration | 10 G, 10 ... 2000 Hz (IEC 60068-2-6) |
| Moment of inertia (magnet actuator) | 0,1 x 10 ⁻⁶ kgm ² |
| Body material | EN-AW 2011 aluminum |
| Housing material | EN-AW 2011 aluminum |
| Magnet actuator material | EN-AW 2011 aluminum |
| Operating temperature | -40° ... +125 °C (-40° ... +257°F) |
| Storage temperature | -25° ... +85 °C (-13° ... +185°F) |
| Weight | 30 g (1,06 oz) |
| Magnet actuator mounting tolerances (to get best electrical performances) | ± 0,2 mm (axial) ± 0,1 mm (radial) |

RESOLUTIONS

8 - 16 - 25 - 32 - 40 - 50 - 64 - 80 - 100 - 125 - 128 - 160 - 200 - 250 - 256 - 320 - 400 - 500 - 512 - 800 - 1000 - 1024 - 1600 - 2000 - 2048 - 4096 - 8192