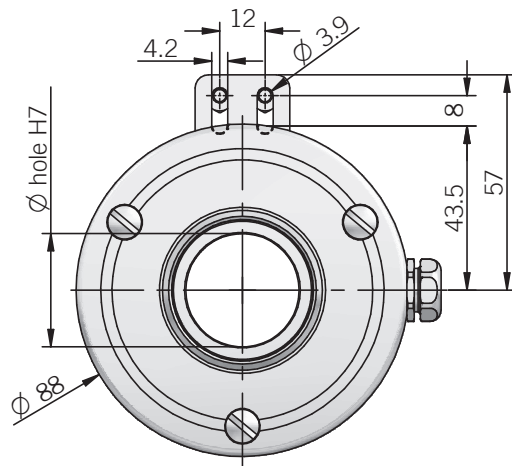
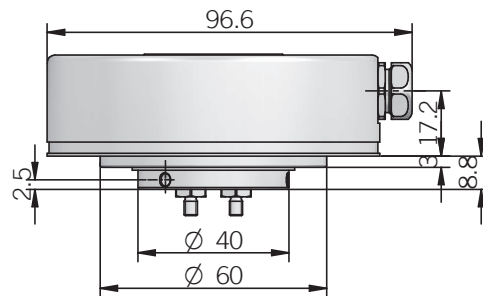
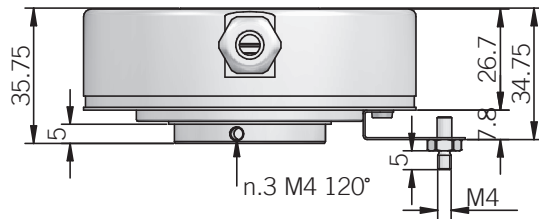


EH - EL 88 P

ELECTRICAL SPECIFICATIONS

Resolution	from 250 to 2500 ppr (EH series) from 2 to 2048 ppr (EL series)
Power supply	5 = 4,5 ... 5,5 V DC 5/28 = 4,75 ... 29,4 V DC 8/24 = 7,6 ... 25,2 V DC (reverse polarity protection)
Current consumption without load	100 mA max
Max load current	N / C / P / PC = 50 mA / channel L / RS = 20 mA / channel
Output type*	NPN / NPN open collector / push-pull / line driver
Max output frequency	105 kHz
Counting direction	A leads B clockwise (shaft view)
Electromagnetic compatibility	IEC 61000-6-2 IEC 61000-6-4

*output levels according to power supply, for further details please see under Technical basics section

CONNECTIONS

Function	Cable output N / C / P / PC	Cable output Line driver
+V DC	red	red
0 V	black	black
Ch. A	green	green
Ch. A-	/	brown
Ch. B	yellow	yellow
Ch. B-	/	orange
Ch. Z	blue	blue
Ch. Z-	/	white
≡	shield	shield

MECHANICAL SPECIFICATIONS

Shaft diameter	∅ 25 / 30 mm
Enclosure rating	IP 65 (IEC 60529)
Max rotation speed	3000 rpm
Shock	50 G, 11 ms (IEC 60068-2-27)
Vibration	20 G, 10 ... 2000 Hz (IEC 60068-2-6)
Moment of inertia	45 x 10 ⁻⁶ kgm ²
Starting torque (at +20°C / +68°F)	< 0,1 Nm
Body material	EN-AW 2011 aluminum
Shaft material	1.4305 / AISI 303 stainless steel
Housing material	EN-AW 2011 aluminum
Bearings	2 ball bearings
Bearings life	10 ⁹ revolutions
Operating temperature	-10° ... +70°C (+14° ... +158°F)
Storage temperature	-25° ... +85°C (-13° ... +185°F)
Fixing torque for grub screws	max 0,75 Nm

EH SERIES RESOLUTIONS

250 - 256 - 500 - **512** - 700 - 720 - **1000** - **1024** - 1440 - 2500

EL SERIES RESOLUTIONS

2 - 5 - 90 - 100 - 200 - **360** - 400 - 600 - 900 - **2000** - 2048

please directly contact our offices for other pulses, preferred resolutions in bold