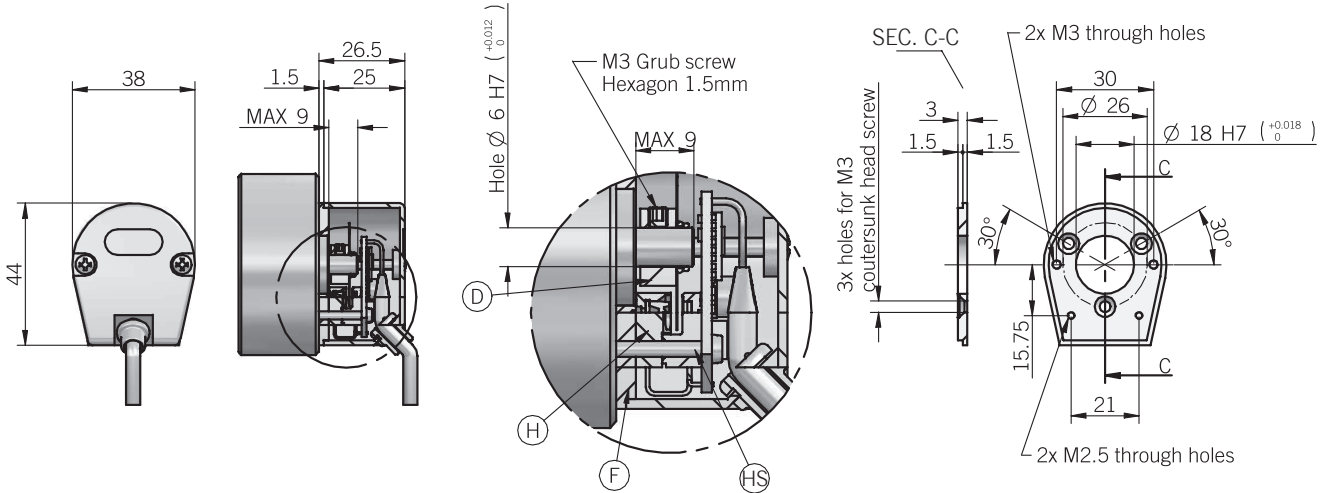
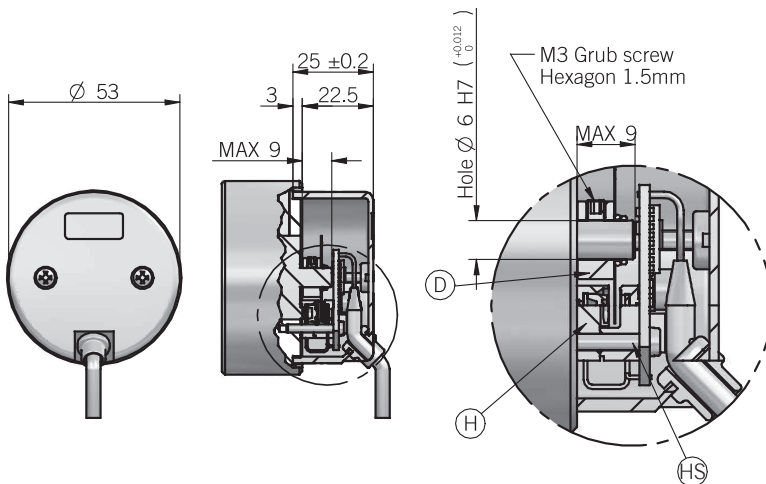


EH 17 M



EH 30 M



CONNECTIONS

Function	Cable output N / C / P	Cable output Line driver
+V DC	red	red
0 V	black	black
Ch. A	green	green
Ch. A-	/	brown
Ch. B	yellow	yellow
Ch. B-	/	orange
Ch. Z	blue	blue
Ch. Z-	/	white
⊥	shield	shield

ELECTRICAL SPECIFICATIONS

Resolution	from 50 to 1024 ppr
Power supply 8/24 = 7,6 ... 23,2 V DC	5 = 4,5 ... 5,5 V DC
Current consumption without load	50 mA bidirectional 100 mA bidirectional with zero
Max load current	N / C / P = 50 mA / channel L = 20 mA / channel
Output type*	NPN / NPN open collector / push-pull / line driver
Max output frequency	105 kHz
Counting direction	A leads B clockwise (shaft view)
Electromagnetic compatibility	IEC 61000-6-1 IEC 61000-6-4

RESOLUTIONS

50* - 100 - 200 - 250 - 256 - 360 - 400 - 500 - 512 - 1000 - 1024

MECHANICAL SPECIFICATIONS

Bore diameter	∅ 6 / 6,35 (1/4") mm
Enclosure rating	mod. 17 IP 40 (IEC 60529) mod. 30 IP 54 (IEC 60529) when properly installed with oring (not supplied)
Max rotation speed	6000 rpm (limited by output frequency)
Shock	50 G, 11 ms (IEC 60068-2-27)
Vibration	10 G, 10 ... 2000 Hz (IEC 60068-2-6)
Moment of inertia	0,5 x 10 ⁻⁶ kgm ²
Flange material (mod. 17)	Aluminium
Hub material	EN-AW 2011 aluminium
Cover material	PA66 glass fiber reinforced
Operating temperature	-20° ... +60°C (-4° ... +140°F)
Storage temperature	-25° ... +70°C (-13° ... +158°F)
Shaft axial play	± 0,1 mm
Shaft eccentricity (plus radial play)	± 0,04 mm
Fixing torque for grub screws	40 cNm max