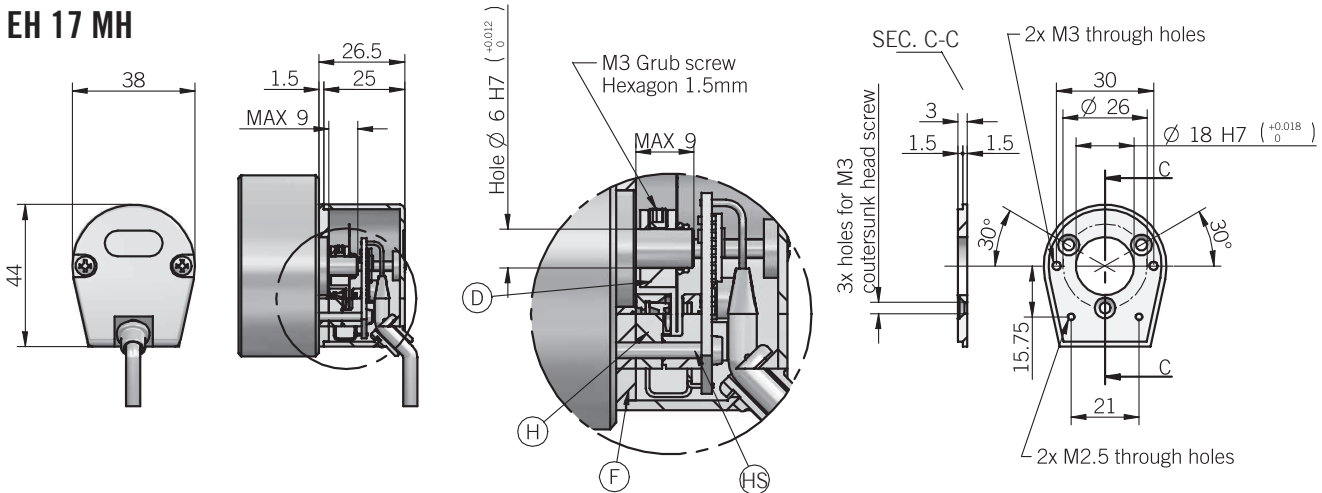
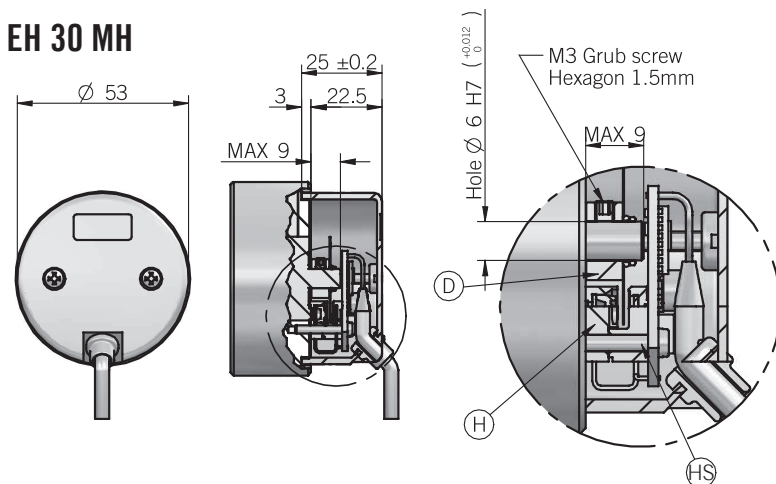




## EH 17 MH



## EH 30 MH



### CONNECTIONS

Function	Cable output Push-pull	Cable output Line driver
+V DC	red	red
0 V	black	black
Ch. A	green	green
Ch. A-	/	brown
Ch. B	yellow	yellow
Ch. B-	/	orange
Ch. Z	blue	blue
Ch. Z-	/	white
⊥	shield	shield

### ELECTRICAL SPECIFICATIONS

<b>Resolution</b>	from 2000 to 5000 ppr
<b>Power supply</b>	5/30 = 4,5 ... 30 V DC (reverse polarity protection)
<b>Current consumption without load</b>	60 mA max
<b>Max load current</b>	20 mA / channel
<b>Output type*</b>	push-pull / line driver
<b>Max output frequency</b>	500 kHz
<b>Counting direction</b>	A leads B clockwise (shaft view)
<b>Electromagnetic compatibility</b>	IEC 61000-6-1 IEC 61000-6-4

\*output levels according to power supply, for further details please see under Technical basics section

### MECHANICAL SPECIFICATIONS

<b>Bore diameter</b>	ø 6 / 6,35 (1/4") mm
<b>Enclosure rating</b>	mod. 17 IP 40 (IEC 60529) mod. 30 IP 54 (IEC 60529) when properly installed with oring (not supplied)
<b>Max rotation speed</b>	6000 prm
<b>Shock</b>	50 G, 11 ms (IEC 60068-2-27)
<b>Vibration</b>	10 G, 10 ... 2000 Hz (IEC 60068-2-6)
<b>Moment of inertia</b>	0,5 x 10 <sup>-6</sup> kgm <sup>2</sup>
<b>Flange material (mod. 17)</b>	aluminium
<b>Hub material</b>	EN-AW 2011 aluminium
<b>Cover material</b>	PA66 glass fiber reinforced
<b>Operating temperature</b>	-20° ... +85°C (-4° ... +185°F)
<b>Storage temperature</b>	-20° ... +85°C (-4° ... +185°F)
<b>Shaft axial play</b>	± 0,1 mm
<b>Shaft eccentricity (plus radial play)</b>	± 0,04 mm
<b>Fixing torque for grub screws</b>	40 cNm max