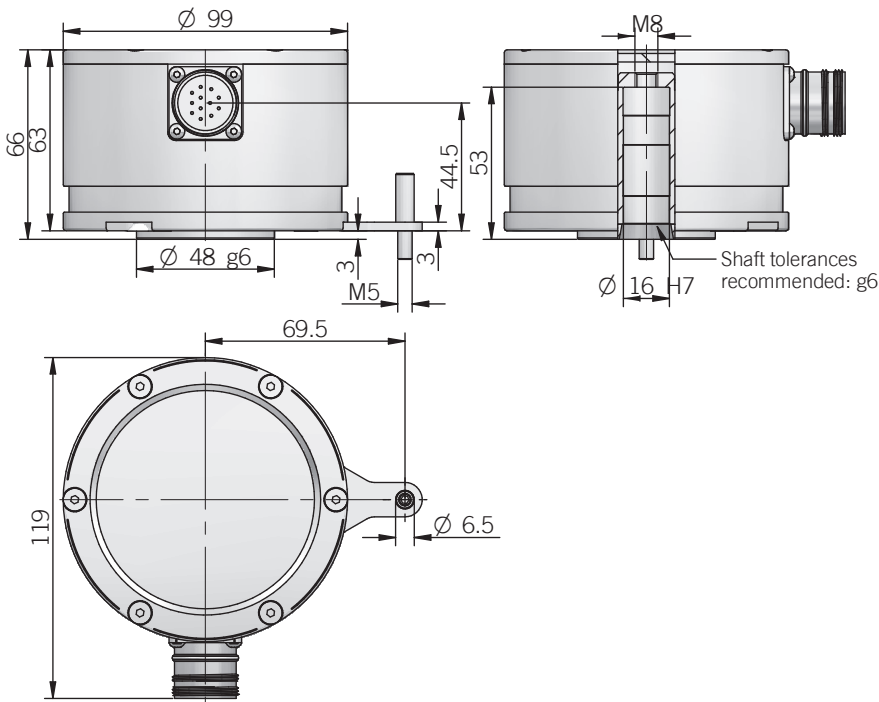
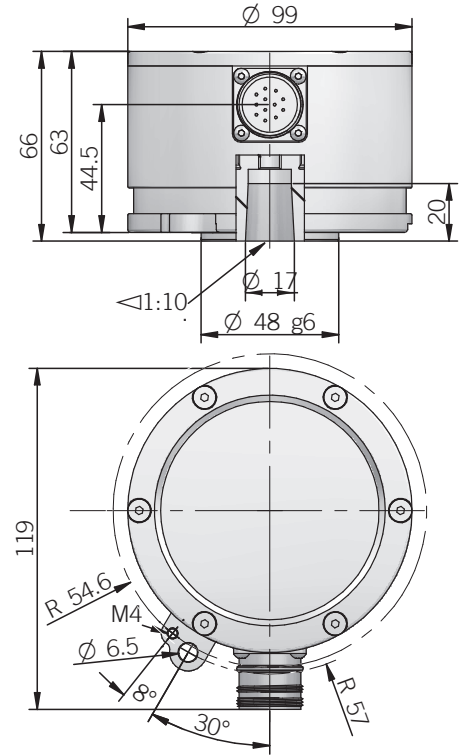


EH 99 PF



EH 99 PT



ELECTRICAL SPECIFICATIONS

Resolution	from 1000 to 2048 ppr
Power supply	5 = 4,5 ... 5,5 V DC 8/30 = 7,6 ... 30 V DC (reverse polarity protection)
Power draw without load	800 mW
Max load current	20 mA / channel
Output type*	push-pull / line driver
Max output frequency	105 kHz
Counting direction	A leads B clockwise (shaft view)
Electromagnetic compatibility	IEC 61000-6-2 IEC 61000-6-4

*output levels according to power supply, for further details please see under Technical basics section

H connector (12 pin) - M23 CCW
Hummel 7.410.000000 -
7.002.912.603
solder side view FV



MECHANICAL SPECIFICATIONS

Bore diameter	ø 12 / 16 / T17 (tapered hollow shaft)
Enclosure rating	X = IP 66 (IEC 60529) S = IP 67 (IEC 60529)
Max rotation speed	3000 rpm
Shock	50 G, 11 ms (IEC 60068-2-27)
Vibration	10 G, 10 ... 2000 Hz (IEC 60068-2-6)
Body material	EN-AW 6026 anodized anticorodal aluminum
Shaft material	1.4305 / AISI 303 stainless steel
Housing material	EN-AW 6026 anodized anticorodal aluminum
Bearings	2 ball bearings
Bearings life	10 ⁹ revolutions
Operating temperature	-40° ... +85°C (-40° ... +185°F)
Storage temperature	-40° ... +85°C (-40° ... +185°F)
Weight	1200 g (42,33 oz)

CONNECTIONS

Function	Cable output	12 pin H output (CCW)
+V DC	red	12
0 V	grey	10
Ch. A	green	5
Ch. A-	brown	6
Ch. B	yellow	8
Ch. B-	pink	1
Ch. Z	blue	3
Ch. Z-	white	4
⊥	shield	9