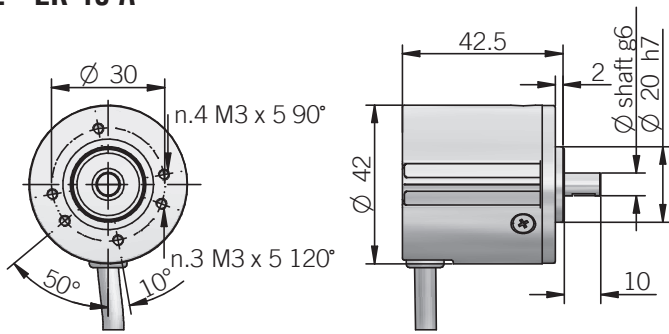
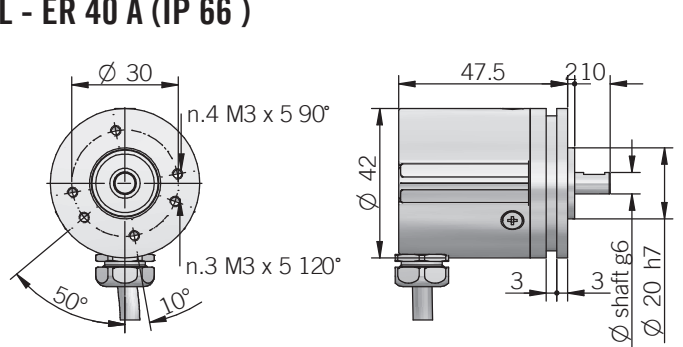
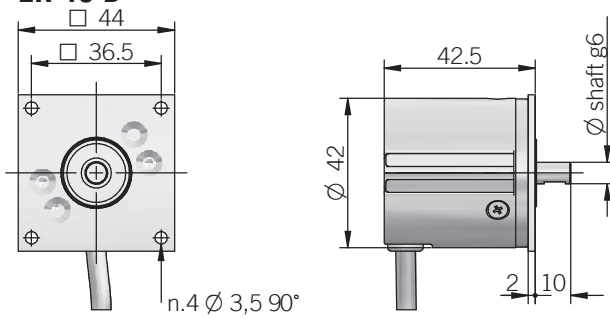
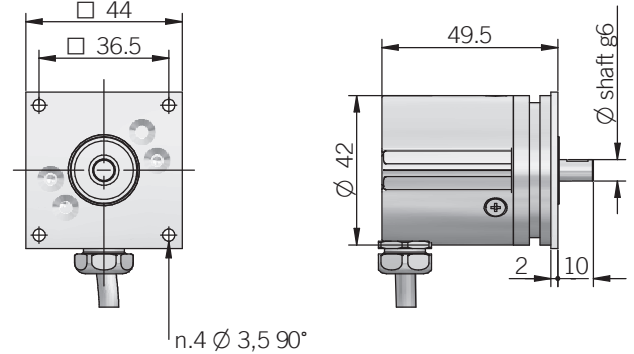
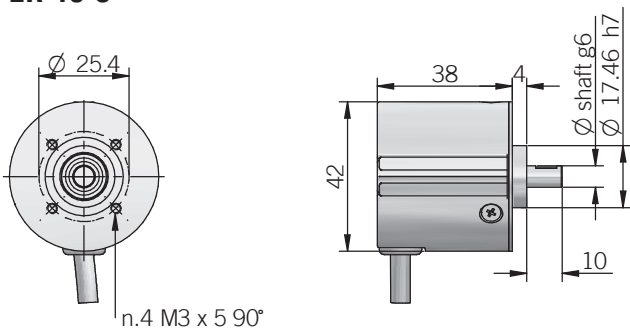
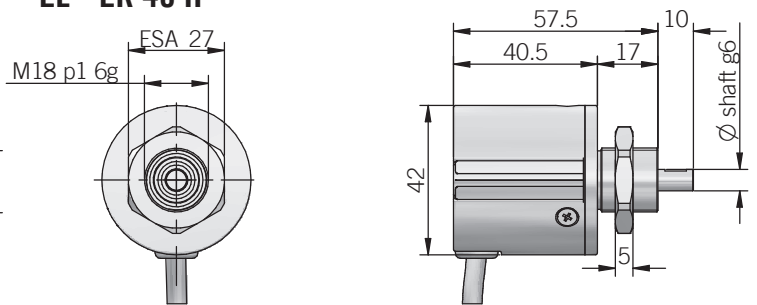
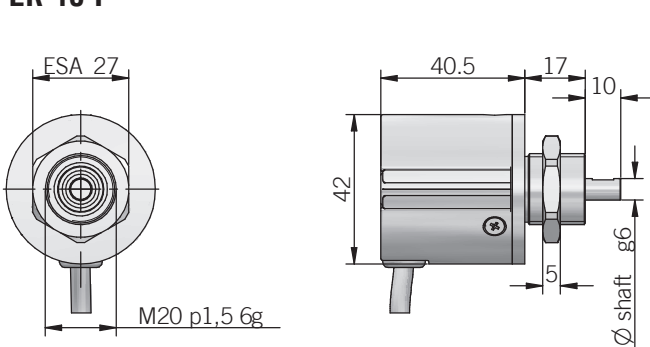
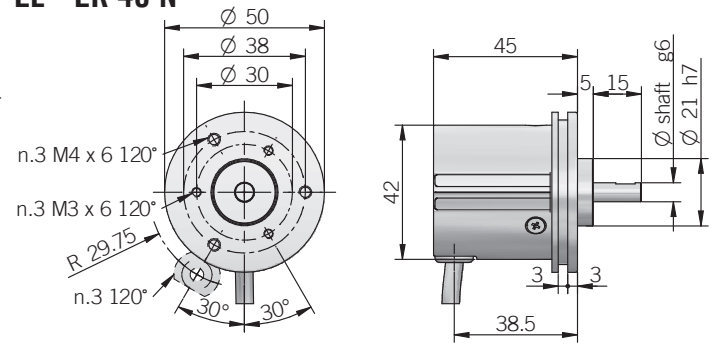
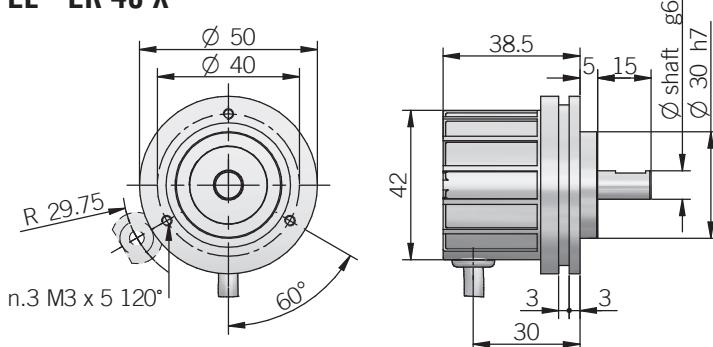
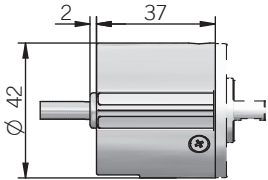


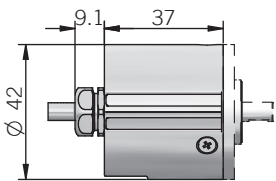
EL - ER 40 A

EL - ER 40 A (IP 66)

EL - ER 40 B

EL - ER 40 B (IP 66)

EL - ER 40 C

EL - ER 40 H

EL - ER 40 I

EL - ER 40 N

EL - ER 40 X

fixing clamps not included



EL - ER 40 (axial output)

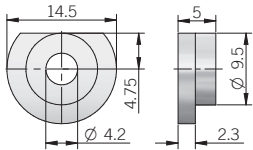


EL - ER 40 (IP 66 axial output)



ACCESSORIES

set n.3 fixing clamps for model 40 X / 40 N
P/N 94080001



MECHANICAL SPECIFICATIONS

Shaft diameter	Ø 4 / 6 / 8 mm
Enclosure rating	X = IP 54 (IEC 60529) S = IP 66 (IEC 60529)
Max rotation speed	3000 rpm (IP 66) 6000 rpm (IP 54)
Max shaft load	5 N axial / radial
Shock	50 G, 11 ms (IEC 60068-2-27)
Vibration	10 G, 10 ... 2000 Hz (IEC 60068-2-6)
Moment of inertia	0,1 x 10 ⁻⁶ kgm ²
Starting torque (at +20°C / +68°F)	< 0,01 Nm (IP 54) < 0,05 Nm (IP 66)
Body material	EN-AW 2011 aluminum
Shaft material	1.4305 / AISI 303 stainless steel
Housing material	PA66 glass fiber reinforced
Bearings	2 ball bearings
Bearings life	10 ⁹ revolutions
Operating temperature	-10° ... +60°C (+14° ... +140°F) EL series -25° ... +85°C (-13° ... +185°F) ER series
Storage temperature	-25° ... +70°C (-13° ... +158°F)
Weight	100 g (3,52 oz)

ELECTRICAL SPECIFICATIONS

Resolution	from 1 to 14400 ppr (mod. A/B) from 1 to 2500 ppr (mod. C/H/I/N/X)
Power supply	5 = 4,5 ... 5,5 V DC 5/28 = 4,75 ... 29,4 V DC 8/24 = 7,6 ... 25,2 V DC (reverse polarity protection)
Power draw without load	800 mW
Max load current	N / C / P / PC = 50 mA / channel L / RS = 20 mA / channel
Output type*	NPN / NPN open collector / push-pull / line driver
Max output frequency	150 kHz EL series 220 kHz ER series
Counting direction	A leads B clockwise (shaft view)
Electromagnetic compatibility	IEC 61000-6-2 IEC 61000-6-4

*output levels according to power supply, for further details please see under Technical basics section

CONNECTIONS

Function	Cable output N / C / P / PC	Cable output Line driver
+V DC	red	red
0 V	black	black
Ch. A	green	green
Ch. A-	/	brown
Ch. B	yellow	yellow
Ch. B-	/	orange
Ch. Z	blue	blue
Ch. Z-	/	white
⏏	shield	shield

EL SERIES RESOLUTIONS

1 - 2 - 4 - 5 - 10 - 15 - 16 - 20 - 30 - 32 - 40 - 50 - 70 - 80 - 90 - 3000 - 3600
- 4000 - 4096 - 5000 - 6000 - 7200 - 8000 - 8192 - 10000 - 12000 - 14400

ER SERIES RESOLUTIONS

100 - 120 - 128 - **150** - **200** - 240 - 250 - 256 - **300** - **360** - **400** - 480 - **500** - **512**
- **600** - 625 - **720** - 750 - 800 - 900 - **1000** - **1024** - **1200** - 1250 - **1440** - 1500
- 1600 - 1800 - **2000** - **2048** - 2500

please directly contact our offices for other pulses, preferred resolutions in bold