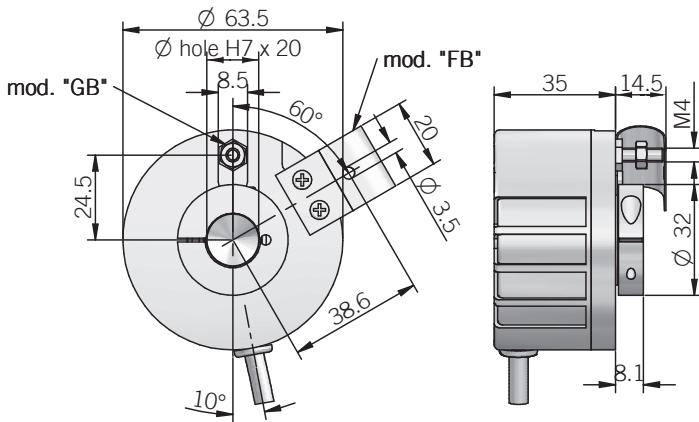
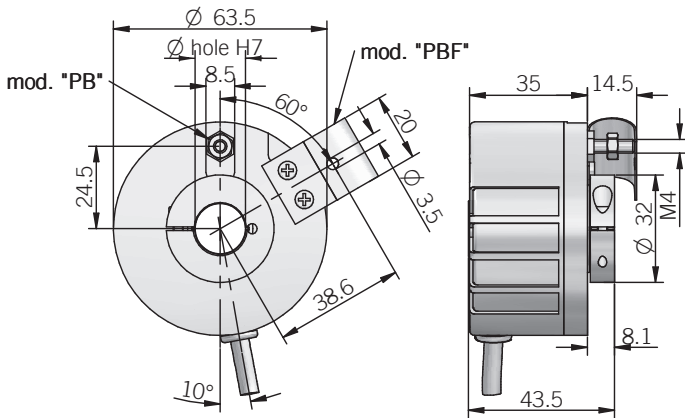


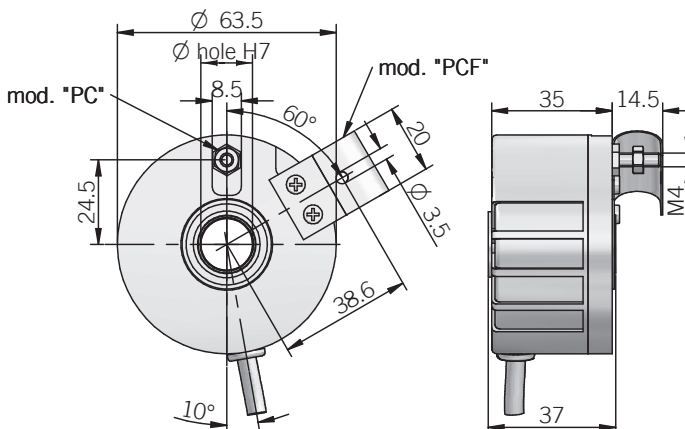
EL 63 FB / GB



EL 63 PB / PBF



EL 63 PC / PCF



anti-rotation pin is included in model GB / PB / PC, for mounting instruction please refer to product installation notes

ELECTRICAL SPECIFICATIONS

Resolution	from 1 to 2500 ppr
Power supply	5 = 4,5 ... 5,5 V DC 5/28 = 4,75 ... 29,4 V DC 8/24 = 7,6 ... 25,2 V DC (reverse polarity protection)
Power draw without load	800 mW
Max load current	N / C / P / PC = 50 mA / channel L / RS = 20 mA / channel
Output type*	NPN / NPN open collector / push-pull / line driver
Max output frequency	300 kHz
Counting direction	A leads B clockwise (shaft view)
Electromagnetic compatibility	IEC 61000-6-2 IEC 61000-6-4

*output levels according to power supply, for further details please see under Technical basics section

MECHANICAL SPECIFICATIONS

Bore diameter	$\varnothing 8 / 10 / 12 / 14 / 15$ mm
Enclosure rating	IP 54 (IEC 60529)
Max rotation speed	3000 rpm
Shock	50 G, 11 ms (IEC 60068-2-27)
Vibration	10 G, 10 ... 2000 Hz (IEC 60068-2-6)
Moment of inertia	4×10^{-6} kgm ²
Starting torque (at +20°C / +68°F)	< 0,04 Nm
Body material	EN-AW 2011 aluminum
Shaft material	1.4305 / AISI 303 stainless steel
Housing material	PA 66 glass fiber reinforced
Bearings	2 ball bearings
Bearings life	10 ⁹ revolutions
Operating temperature	-10° ... +60 °C (+14° ... +140°F)
Storage temperature	-25° ... +70 °C (-13° ... +158°F)
Fixing torque for collar clamping	1,5 Nm recommended
Weight	350 g (12,35 oz)

CONNECTIONS

Function	Cable output N / C / P / PC	Cable output Line driver
+V DC	red	red
0 V	black	black
Ch. A	green	green
Ch. A-	/	brown
Ch. B	yellow	yellow
Ch. B-	/	orange
Ch. Z	blue	blue
Ch. Z-	/	white
⊥	shield	shield

RESOLUTIONS

1 - 2 - 5 - 20 - 25 - **32** - 50 - 60 - 100 - 128 - **200** - 250 - 256 - **360** - 400 - 500 - 512 - 600 - 720 - 1000 - **1024** - 1440 - 1800 - **2000** - 2048 - 2500

please directly contact our offices for other pulses, preferred resolutions in bold