

# EA 63 AX / DX SSI

## STAINLESS STEEL SINGLETURN ABSOLUTE ENCODER

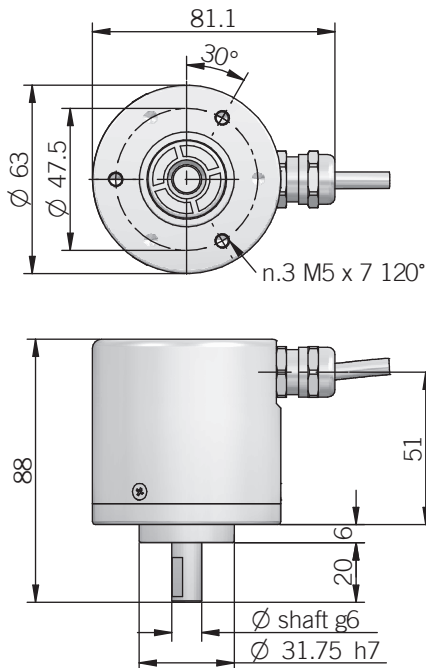
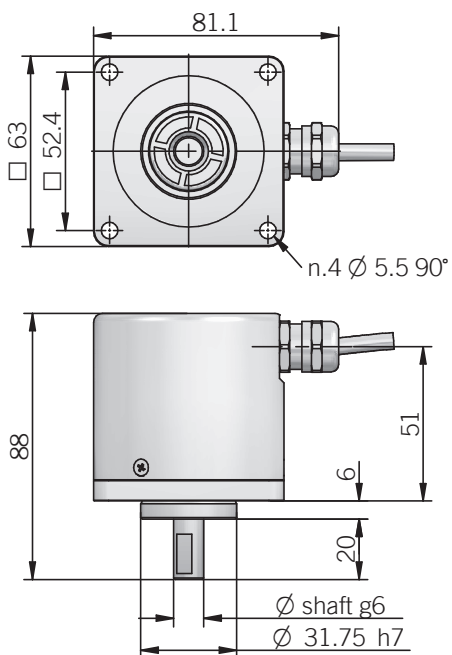


### Specifications

Thanks to the stainless steel enclosure, the encoder is suitable for food and beverage machinery, cranes and winches for ships, offshore applications, washing systems and all those environments where high corrosion resistance is required.

- Optical sensor technology (OptoASIC)
- Resolution up to 13 bit (8192 ppr)
- Power supply up to +28 VDC with SSI as electronic interface
- Cable output
- Solid shaft diameter up to 10 mm
- Mounting by clamping or centering 2,5" square flange

ORDERING CODE	EA	63DX	256	G	8/28	S	X	X	8	S	3	PCR	.XXX
<b>SERIES</b> singleturn absolute encoder EA													
<b>MODEL</b> clamping flange ø 31.75 mm 63AX centering square flange ø 31.75 mm 63DX													
<b>RESOLUTION</b> (powers of 2) ppr from 2 to 8192 (multiples and submultiples of 360) ppr from 90 to 3600 (multiples and submultiples of 1000) ppr from 250 to 4000													
<b>CODE TYPE</b> binary B gray G (no powers of 2) binary offset code (0-XXX) BC (no powers of 2) gray offset code (0-XXX) GC													
<b>POWER SUPPLY</b> 8 ... 28 V DC 8/28													
<b>ELECTRONIC INTERFACE</b> Serial Synchronous Interface - SSI S													
<b>LOGIC</b> to be reported X													
<b>OPTIONS</b> to be reported if not used X reset ZE													
<b>SHAFT DIAMETER</b> (9,52mm 3/8") mm 9 mm 10													
<b>ENCLOSURE RATING</b> IP 66 S													
<b>MAX ROTATION SPEED</b> 3000 rpm 3													
<b>OUTPUT TYPE</b> radial cable (standard length 1,5 m) PCR													
<b>VARIANT</b> custom version XXX													

**EA 63 AX**

**EA 63 DX**

**ELECTRICAL SPECIFICATIONS**

<b>Resolution</b>	from 2 to 8192 ppr
<b>Power supply</b>	8/28 = 7,6 ... 29,4 V DC
<b>Current consumption without load</b>	100 mA
<b>Output type</b>	RS-422
<b>Auxiliary inputs (U/D - Reset)</b>	active high (+Vdc) connect to 0V if not used / Reset tmin 150 ms
<b>Clock frequency</b>	100 kHz ... 1 MHz
<b>SSI monostable time (Tm)</b>	18 µs
<b>SSI pause time (Tp)</b>	> 35 µs
<b>SSI frame</b>	(MSB ... LSB) 13 bit data length
<b>Accuracy</b>	± 1/2 LSB
<b>Counting direction</b>	decreasing clockwise (shaft view)
<b>Start-up time</b>	150 ms
<b>Electromagnetic compatibility</b>	IEC 61000-6-2 IEC 61000-6-4

**MECHANICAL SPECIFICATIONS**

<b>Shaft diameter</b>	ø 9,52 (3/8") / 10 mm
<b>Enclosure rating</b>	IP 66 (IEC 60529)
<b>Max rotation speed</b>	3000 rpm
<b>Max shaft load</b>	100 N axial / radial
<b>Shock</b>	50 G, 11 ms (IEC 60068-2-27)
<b>Vibration</b>	10 G, 10 ... 2000 Hz (IEC 60068-2-6)
<b>Moment of inertia</b>	1,5 x 10 <sup>-6</sup> kgm <sup>2</sup>
<b>Starting torque (at +20°C / +68°F)</b>	< 0,06 Nm
<b>Body material</b>	1.4305 / AISI 303 stainless steel
<b>Shaft material</b>	1.4305 / AISI 303 stainless steel
<b>Housing material</b>	1.4305 / AISI 303 stainless steel
<b>Bearings</b>	2 ball bearings
<b>Bearings life</b>	10 <sup>9</sup> revolutions
<b>Operating temperature</b>	0° ... +60°C (+32° ... +140°F)
<b>Storage temperature</b>	-15° ... +70°C (+5° ... +158°F)
<b>Weight</b>	1000 g (35,27 oz)

**CONNECTIONS**

Function	Cable output
+ Vdc	red
0 Volt	black
U / D	red / blue
data +	green
data -	brown
clock +	yellow
clock -	orange or pink
RESET	white
⊥	shield