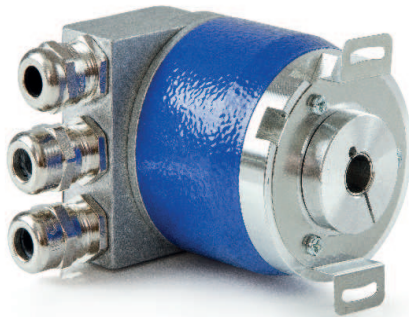


EAM 58 F - 63 F / G PROFIBUS

BLIND HOLLOW SHAFT MULTITURN ABSOLUTE ENCODER



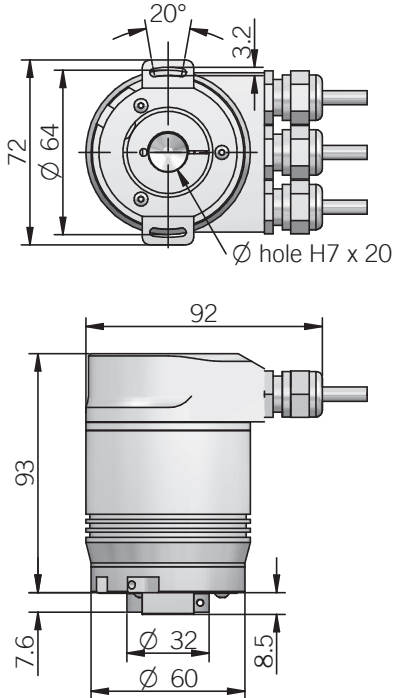
Specifications

Industry standard multiturn absolute encoder for factory automation applications.

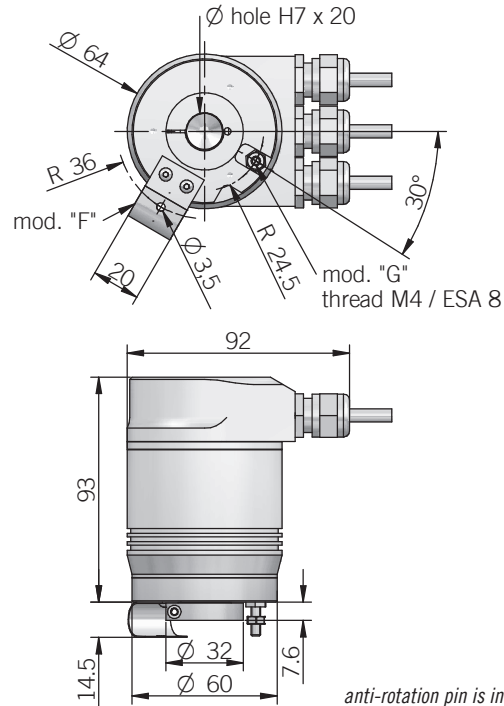
- Optical sensor technology (OptoASIC + gears)
- 25 bit total resolution (13 bit single turn (8192 ppr) + 12 bit multi-turn (4096 turns))
- Power supply up to +28 VDC with Profibus DP as electronic interface
- Intelligent status leds
- Terminal box or M12 connectors for fast setup
- Blind hollow shaft up to 15 mm diameter
- Mounting by stator coupling, spring or anti-rotation pin

ORDERING CODE	EAM	63F	R	4096 / 4096	B	12/28	FX	8	X	3	P3R	.XXX
SERIES multiturn absolute encoder EAM												
MODEL blind hollow shaft with stator coupling 58F blind hollow shaft with spring 63F blind hollow shaft with anti-rotation pin 63G												
rev. 2.0 R												
MULTITURN RESOLUTION turns 4096												
SINGLETURN RESOLUTION ppr 4096 / 8192												
CODE TYPE binary B												
POWER SUPPLY 12 ... 28 V DC 12/28												
ELECTRONIC INTERFACE PROFIBUS DP V0 CLASS 2 FX												
BORE DIAMETER mm 8 (9,52mm 3/8") mm 9 mm 10 mm 12 mm 14 mm 15												
ENCLOSURE RATING IP 54 X												
MAX ROTATION SPEED 3000 rpm 3												
OUTPUT TYPE terminal box - radial cable glands P3R radial M12 connectors M12R												
<i>female connector included, without female please add 162 as variant code</i>												
VARIANT custom version XXX												

EAM 58 F



EAM 63 F - G



anti-rotation pin is included in model G, for mounting instruction please refer to product installation notes

ELECTRICAL SPECIFICATIONS

Multiturn resolution	1 ... 4096 turns <i>programmable during commissioning</i>
Singleturn resolution	2 ... 4096 / 2 ... 8192 ppr <i>programmable during commissioning</i>
Power supply	12/28 = 11,4 ... 29,4 V DC
Current consumption without load	300 mA
Output type	RS 485 galvanically isolated
Max bus frequency	12 Mbaud
Diagnostic features	frequency warning position warning / alarm <i>please refer to installation guide for more informations</i>
Max frequency	25 kHz LSB
Accuracy	± 1/2 LSB
Counting direction	programmable during commissioning
Start-up time	500 ms
Electromagnetic compatibility	IEC 61000-6-2 IEC 61000-6-4

CONNECTIONS

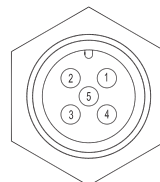
Function	S3 connector 5-pin (power supply)	S3 connector 5-pin (line out)	S3 connector 5-pin (line in)
+ Vdc	2		
0 Volt	4		
signal A (out)		2	
signal B (out)		4	
signal A (in)			2
signal A (in)			4

MECHANICAL SPECIFICATIONS

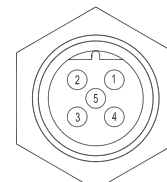
Bore diameter	ø 8* / 9* / 10* / 12* / 14 / 15 mm
Enclosure rating	IP 54 (IEC 60529)
Max rotation speed	3000 rpm
Shock	50 G, 11 ms (IEC 60068-2-27)
Vibration	10 G, 10 ... 2000 Hz (IEC 60068-2-6)
Moment of inertia	5 x 10 ⁻⁶ kgm ²
Starting torque (at +20°C / +68°F)	< 0,02 Nm
Body material	EN-AW 2011 aluminum
Shaft material	1.4305 / AISI 303 stainless steel
Housing material	painted aluminium
Bearings	2 ball bearings
Bearings life	10 ⁹ revolutions
Operating temperature	0° ... +60°C (+32° ... +140°F)
Storage temperature	-15° ... +70°C (+5° ... +158°F)
Fixing torque for collar clamping	1,5 Nm recommended
Weight	650 g (22,93 oz)

* with supplied adapter shaft

S3 connector (M12 5 pins A coded) power supply view solder side FV



S3 connector (M12 5 pins B coded) line out view solder side FV



S3 connector (M12 5 pins B coded) line in view solder side MV

