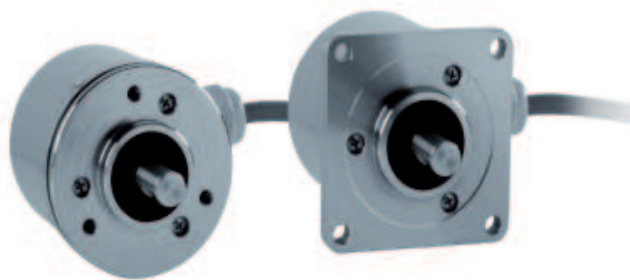


## EAM 63 AX / DX SSI

### STAINLESS STEEL MULTITURN ABSOLUTE ENCODER

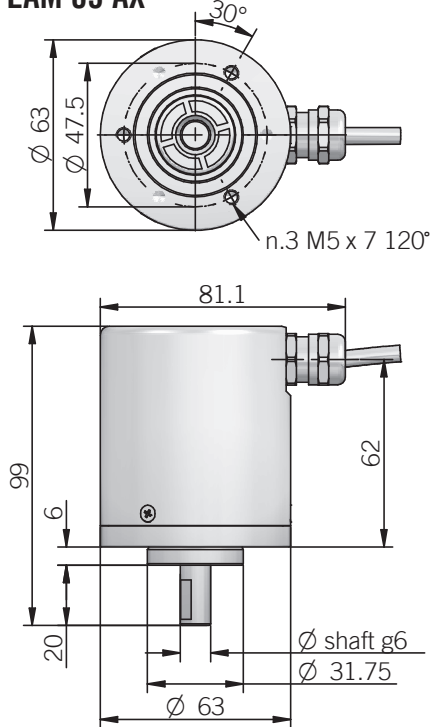
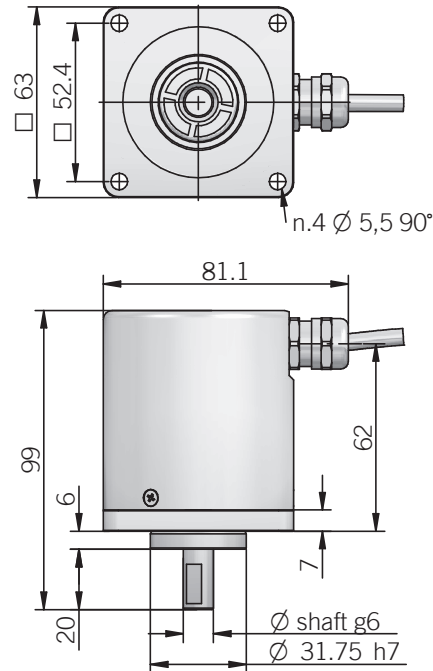


### Specifications

Thanks to the stainless steel enclosure, the encoder is suitable for food and beverage machinery, cranes and winches for ships, offshore applications, washing systems and all those environments where high corrosion resistance is required. EAM 63 AX / DX is available with SSI output.

- Optical sensor technology (OptoASIC + gears)
- Resolution up to 27 bit (13 bit single turn (8192 ppr) + 14 bit multi-turn (16384 turns))
- Power supply up to +28 VDC with SSI as electronic interface
- Cable or connector output
- Solid shaft diameter up to 10 mm
- Mounting by clamping or centering 2,5" square flange

ORDERING CODE	EAM	63AX	4096 / 4096	G	8/28	S	X	X	10	S	3	PC	R	.XXX
<b>SERIES</b> multiturn absolute encoder <b>EAM</b>														
<b>MODEL</b> clamping flange ø 31.75 mm <b>63AX</b> centering square flange ø 31.75 mm <b>63DX</b>														
<b>MULTITURN RESOLUTION</b> (powers of 2) turns from 2 to 16384														
<b>SINGLETURN RESOLUTION</b> (powers of 2) ppr from 2 to 8192														
<b>CODE TYPE</b> binary <b>B</b> gray <b>G</b>														
<b>POWER SUPPLY</b> 8 ... 28 V DC <b>8/28</b>														
<b>ELECTRONIC INTERFACE</b> Serial Synchronous Interface - SSI <b>S</b>														
<b>LOGIC</b> to be reported <b>X</b>														
<b>OPTIONS</b> to be reported <b>X</b>														
<b>SHAFT DIAMETER</b> (9,52mm 3/8") mm <b>9</b> mm <b>10</b>														
<b>ENCLOSURE RATING</b> IP 66 <b>S</b>														
<b>MAX ROTATION SPEED</b> 3000 rpm <b>3</b>														
<b>OUTPUT TYPE</b> cable (standard length 1,5 m) <b>PC</b>														
<b>DIRECTION TYPE</b> radial <b>R</b>														
<b>VARIANT</b> custom version <b>XXX</b>														

**EAM 63 AX**

**EAM 63 DX**


### ELECTRICAL SPECIFICATIONS

<b>Multiturn resolution</b>	from 2 to 16384 turns
<b>Singleturn resolution</b>	from 2 to 8192 ppr
<b>Power supply</b>	8/28 = 7,6 ... 29,4 V DC
<b>Current consumption without load</b>	100 mA
<b>Output type</b>	RS-422
<b>Auxiliary inputs (U/D)</b>	active high (+Vdc) <i>connect to 0V if not used</i>
<b>Clock frequency</b>	100 kHz ... 1 MHz
<b>SSI monostable time (Tm)</b>	18 $\mu$ s
<b>SSI pause time (Tp)</b>	> 35 $\mu$ s
<b>Accuracy</b>	$\pm 1/2$ LSB
<b>SSI frame</b>	Tree format (MSB ... LSB) up to 12 bit multiturn = lenght 25 bit (12MT + 13ST) 13 to 14 bit multiturn = lenght 27 bit (14MT + 13ST)
<b>Counting direction</b>	decreasing clockwise (shaft view)
<b>Start-up time</b>	150 ms
<b>Electromagnetic compatibility</b>	IEC 61000-6-2 IEC 61000-6-4

### MECHANICAL SPECIFICATIONS

<b>Shaft diameter</b>	$\varnothing 9,52$ (3/8") / 10 mm
<b>Enclosure rating</b>	IP 66 (IEC 60529)
<b>Max rotation speed</b>	3000 rpm
<b>Max shaft load</b>	100 N axial / radial
<b>Shock</b>	50 G, 11 ms (IEC 60068-2-27)
<b>Vibration</b>	10 G, 10 ... 2000 Hz (IEC 60068-2-6)
<b>Moment of inertia</b>	$1,5 \times 10^{-6}$ kgm <sup>2</sup>
<b>Starting torque (at +20°C / +68°F)</b>	< 0,06 Nm
<b>Body material</b>	1.4305 / AISI 303 stainless steel
<b>Shaft material</b>	1.4305 / AISI 303 stainless steel
<b>Housing material</b>	1.4305 / AISI 303 stainless steel
<b>Bearings</b>	2 ball bearings
<b>Bearings life</b>	10 <sup>9</sup> revolutions
<b>Operating temperature</b>	0° ... +60°C (+32° ... +140°F)
<b>Storage temperature</b>	-15° ... +70°C (+5° ... +158°F)
<b>Weight</b>	1000 g (35,27 oz)

### CONNECTIONS

Function	Cable output
+ Vdc	red
0 Volt	black
data +	green
data -	brown
clock +	yellow
clock -	orange or pink
U / D	red / blue
$\equiv$	shield