

EMA 55 A / AY SSI

MAGNETIC SINGLETURN ABSOLUTE KIT ENCODER

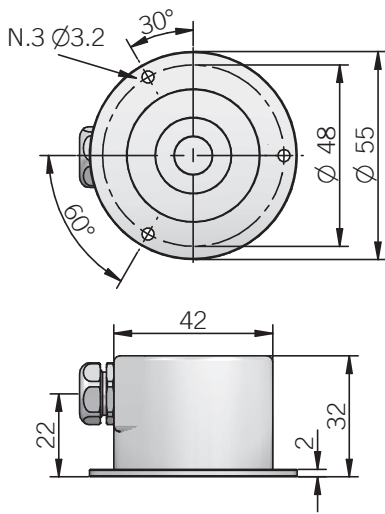
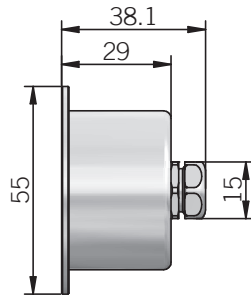
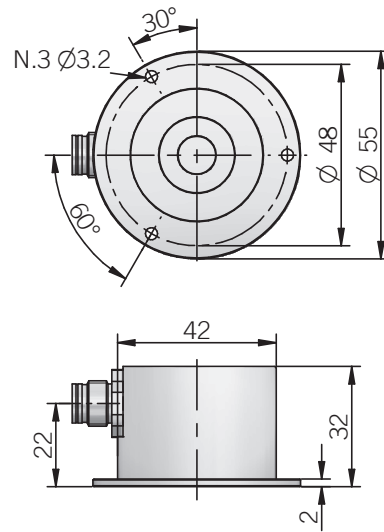
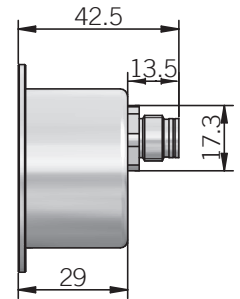


Specifications

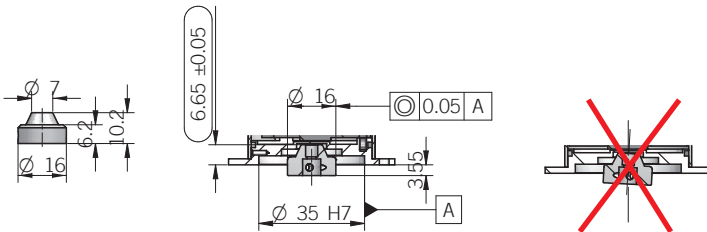
EM series encoders are suitable for several application fields like electric motors marine industry, iron and steel industry, textile machines, wood-working, paper-working, glass working, marble-working machinery and, more generally, automation and process control fields.

- Resolution up to 13 bit (8192 ppr) with SSI as electronic interface
- Cable or M12 output, other connectors available on cable end
- No wear due to no contact magnetic technology
- Bore shaft diameter up to 10 mm
- Enclosure rating up to IP67
- Wide operating temperature -40° ... +100°C (-40° ... +212°F)

ORDERING CODE	EMA	55A	1024	B	5	S	P	X	6	X	10	P	R	.XXX
SERIES magnetic singleturn absolute encoder <i>EMA</i>														
MODEL fixing holes ø 48 mm <i>55A</i> fixing holes ø 48 mm anodized <i>55AY</i>														
RESOLUTION ppr from 8 to 8192 <i>see table for pulses availability</i>														
CODE TYPE binary <i>B</i> gray <i>G</i>														
POWER SUPPLY 5 V DC <i>5</i> 8 ... 30 V DC <i>8/30</i>														
ELECTRONIC INTERFACE Serial Synchronous Interface - SSI <i>S</i>														
LOGIC positive <i>P</i>														
OPTIONS to be reported <i>X</i>														
BORE DIAMETER (MAGNET ACTUATOR) mm <i>6</i> mm <i>8</i> 9,52 (3/8") mm <i>9</i> mm <i>10</i>														
ENCLOSURE RATING IP 65 <i>X</i> IP 67 <i>S</i>														
MAX ROTATION SPEED 10000 rpm <i>10</i>														
OUTPUT TYPE cable (standard length 0,5 m) <i>P</i> M12 connector <i>M12</i> <i>female connector included, without female please add 162 as variant code</i>														
DIRECTION TYPE axial <i>A</i> radial <i>R</i>														
VARIANT custom version <i>XXX</i>														

**EMA 55 A / AY
radial cable**

**EMA 55 A / AY
axial cable**

**EMA 55 A / AY
radial M12**

**EMA 55 A / AY
axial M12**


dimensions in mm


ELECTRICAL SPECIFICATIONS

Resolution	from 8 to 8192 ppr
Power supply	5 = 4,75 ... 5,25 V DC 8/30 = 7,6 ... 31,5 V DC
Power draw without load	800 mW max
Output type	RS-422
SSI output code	binary or gray
Clock frequency	100 kHz ... 1 MHz
SSI monostable time (Tm)	20 µs
SSI frame	(MSB ... LSB) 13 bit data length
Accuracy	± 0,35° typical / ± 0,50° max
Counting direction	decreasing clockwise (magnet actuator view)
Electromagnetic compatibility	IEC 61000-6-1 IEC 61000-6-4

RESOLUTIONS

8 - 16 - 25 - 32 - 40 - 50 - 64 - 80 - 100 - 125 - 128 - 160 - 200 - 250 - 256 - 320 - 400 - 500 - 512 - 800 - 1000 - 1024 - 1600 - 2000 - 2048 - 4096 - 8192

CONNECTIONS

Function	Cable output	8 pin M12 connector
+ Vdc	red	8
0 Volt	black	5
data +	green	3
data -	brown	2
clock +	yellow	4
clock -	orange or pink	6
⊥	shield	housing

MECHANICAL SPECIFICATIONS

Bore diameter (magnet actuator)	ø 6 / 8 / 9,52 (3/8") / 10 mm
Enclosure rating	X = IP 65 (IEC 60529) S = IP 67 (IEC 60529)
Max rotation speed	10000 rpm
Shock	50 G, 11 ms (IEC 60068-2-27)
Vibration	10 G, 10 ... 2000 Hz (IEC 60068-2-6)
Moment of inertia (magnet actuator)	0,1 x 10 ⁻⁶ kgm ²
Body material	EN-AW 2011 aluminum
Housing material	painted aluminium
Magnet actuator material	EN-AW 2011 aluminum
Operating temperature	-40° ... +100 °C (-40° ... +212°F)
Storage temperature	-25° ... +85 °C (-13° ... +185°F)
Weight	150 g (5,29 oz)
Magnet actuator mounting tolerances (to get best electrical performances)	± 0,2 mm (axial) ± 0,1 mm (radial)

M12 connector (8 pin)
M12 A coded
solder side view FV

