

EH 17 - 30 M

INCREMENTAL KIT ENCODER



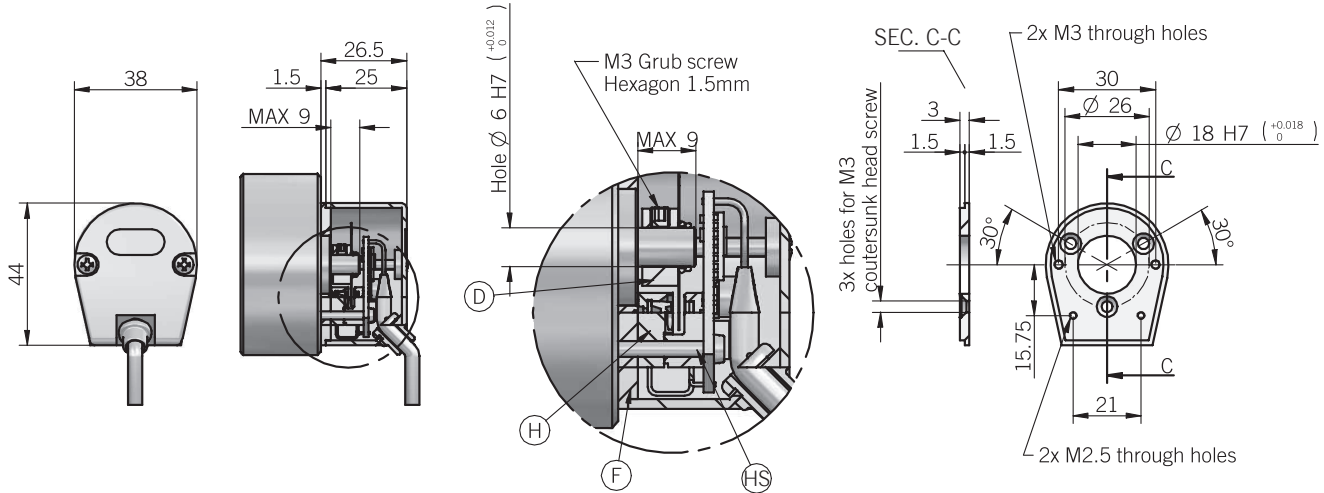
Specifications

Series of miniaturized encoders for integration on small size AC/DC motors, stepper motors or for limited size applications.

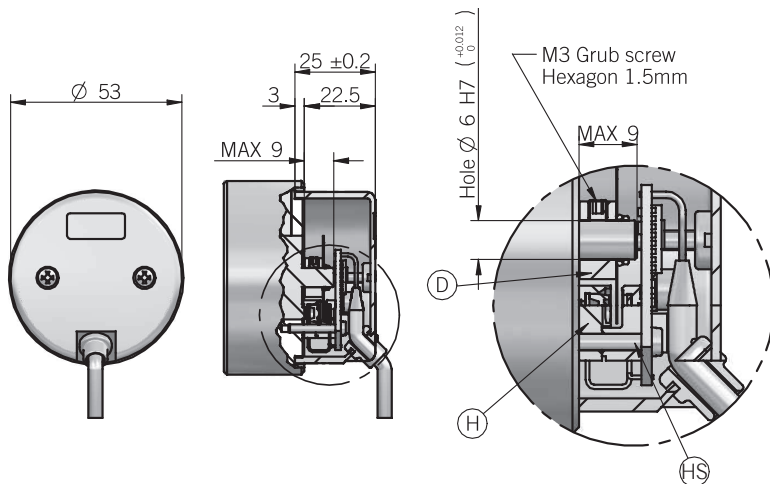
- 3 channel encoder (A / B / Z) up to 1024 ppr
- Power supply up to +24 VDC with several electronic interfaces available
- Up to 100 kHz output frequency
- No wear due to absense of bearings
- Easy assembly
- Compact size

ORDERING CODE	EH	30M	500	S	8/24	P	6	X	6	PR	.XXX
SERIES incremental encoder series EH											
MODEL kit encoder 17M kit encoder 30M											
RESOLUTION ppr from 50 to 1024 <i>see table for pulses availability</i>											
ZERO PULSE without zero pulse S with zero pulse Z											
POWER SUPPLY 5 V DC 5 8 ... 24 V DC 8/24											
ELECTRONIC INTERFACE NPN N NPN open collector C push-pull P line driver L											
BORE DIAMETER mm 6 (1/4") mm 6,35											
ENCLOSURE RATING IP40 mod. 17 / IP 54 mod. 30 X											
MAX ROTATION SPEED 6000 rpm 6											
OUTPUT TYPE radial cable (standard length 0,5 m) PR											
VARIANT custom version XXX											

EH 17 M



EH 30 M



CONNECTIONS

Function	Cable output N / C / P	Cable output Line driver
+V DC	red	red
0 V	black	black
Ch. A	green	green
Ch. A-	/	brown
Ch. B	yellow	yellow
Ch. B-	/	orange
Ch. Z	blue	blue
Ch. Z-	/	white
⊥	shield	shield

ELECTRICAL SPECIFICATIONS

Resolution	from 50 to 1024 ppr
Power supply 8/24 = 7,6 ... 23,2 V DC	5 = 4,5 ... 5,5 V DC
Current consumption without load	50 mA bidirectional 100 mA bidirectional with zero
Max load current	N / C / P = 50 mA / channel L = 20 mA / channel
Output type*	NPN / NPN open collector / push-pull / line driver
Max output frequency	105 kHz
Counting direction	A leads B clockwise (shaft view)
Electromagnetic compatibility	IEC 61000-6-1 IEC 61000-6-4

RESOLUTIONS

50* - 100 - 200 - 250 - 256 - 360 - 400 - 500 - 512 - 1000 - 1024

MECHANICAL SPECIFICATIONS

Bore diameter	∅ 6 / 6,35 (1/4") mm
Enclosure rating	mod. 17 IP 40 (IEC 60529) mod. 30 IP 54 (IEC 60529) when properly installed with oring (not supplied)
Max rotation speed	6000 rpm (limited by output frequency)
Shock	50 G, 11 ms (IEC 60068-2-27)
Vibration	10 G, 10 ... 2000 Hz (IEC 60068-2-6)
Moment of inertia	0,5 x 10 ⁻⁶ kgm ²
Flange material (mod. 17)	Aluminium
Hub material	EN-AW 2011 aluminium
Cover material	PA66 glass fiber reinforced
Operating temperature	-20° ... +60°C (-4° ... +140°F)
Storage temperature	-25° ... +70°C (-13° ... +158°F)
Shaft axial play	± 0,1 mm
Shaft eccentricity (plus radial play)	± 0,04 mm
Fixing torque for grub screws	40 cNm max