

## EH 17 - 30 MH INCREMENTAL KIT ENCODER



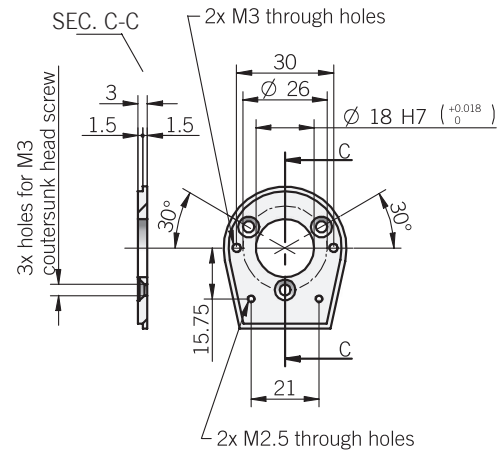
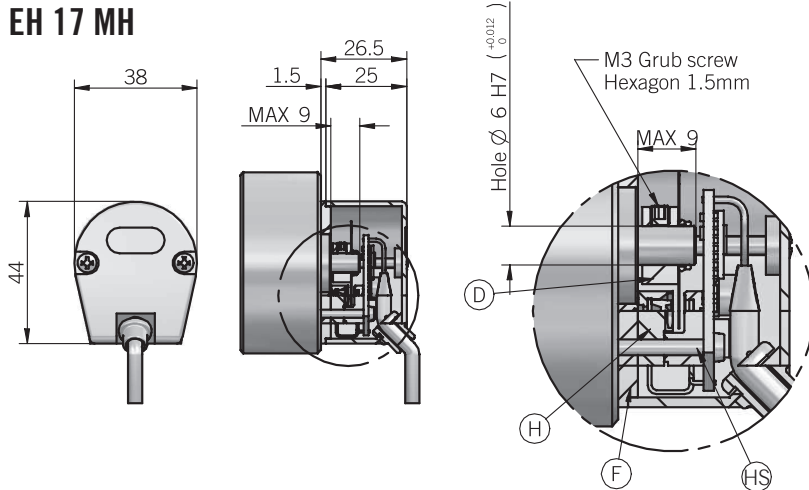
### Specifications

Series of miniaturized encoders with high resolution for integration on small size AC/DC motors, stepper motors or for limited size applications.

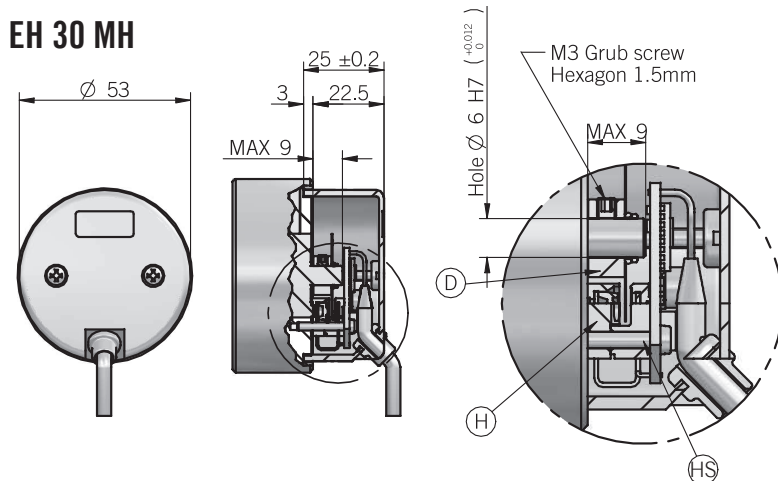
- 3 channel encoder (A / B / Z) up to 5000 ppr
- Power supply up to +30 VDC with several electronic interfaces available
- Up to 500 kHz output frequency
- No wear due to absence of bearings
- Easy assembly
- Compact size

ORDERING CODE	EH	30MH	2000	S	5/30	P	6	X	X	PR	.XXX
<b>SERIES</b> incremental encoder series <b>EH</b>											
<b>TYPE</b> high resolution kit encoder <b>17MH</b> high resolution kit encoder <b>30MH</b>											
<b>RESOLUTION</b> ppr <b>2000 / 2048 / 2500 / 4096 / 5000</b>											
<b>ZERO PULSE</b> without zero pulse <b>S</b> with zero pulse <b>Z</b>											
<b>POWER SUPPLY</b> 5 ...30 V DC <b>5/30</b>											
<b>ELECTRONIC INTERFACE</b> push-pull <b>P</b> line driver <b>L</b> power supply 5/30V - output RS-422 <b>RS</b>											
<b>BORE DIAMETER</b> mm <b>6</b> (1/4") mm <b>6,35</b>											
<b>ENCLOSURE RATING</b> IP40 mod. 17 / IP 54 mod. 30 <b>X</b>											
<b>OPTION</b> to be reported <b>X</b>											
<b>OUTPUT TYPE</b> radial cable (standard length 0,5 m) <b>PR</b>											
<b>VARIANT</b> custom version <b>XXX</b>											

## EH 17 MH



## EH 30 MH



### CONNECTIONS

Function	Cable output Push-pull	Cable output Line driver
+V DC	red	red
0 V	black	black
Ch. A	green	green
Ch. A-	/	brown
Ch. B	yellow	yellow
Ch. B-	/	orange
Ch. Z	blue	blue
Ch. Z-	/	white
⊥	shield	shield

### ELECTRICAL SPECIFICATIONS

<b>Resolution</b>	from 2000 to 5000 ppr
<b>Power supply</b>	5/30 = 4,5 ... 30 V DC (reverse polarity protection)
<b>Current consumption without load</b>	60 mA max
<b>Max load current</b>	20 mA / channel
<b>Output type*</b>	push-pull / line driver
<b>Max output frequency</b>	500 kHz
<b>Counting direction</b>	A leads B clockwise (shaft view)
<b>Electromagnetic compatibility</b>	IEC 61000-6-1 IEC 61000-6-4

\*output levels according to power supply, for further details please see under Technical basics section

### MECHANICAL SPECIFICATIONS

<b>Bore diameter</b>	∅ 6 / 6,35 (1/4") mm
<b>Enclosure rating</b>	mod. 17 IP 40 (IEC 60529) mod. 30 IP 54 (IEC 60529) when properly installed with oring (not supplied)
<b>Max rotation speed</b>	6000 prm
<b>Shock</b>	50 G, 11 ms (IEC 60068-2-27)
<b>Vibration</b>	10 G, 10 ... 2000 Hz (IEC 60068-2-6)
<b>Moment of inertia</b>	0,5 x 10 <sup>-6</sup> kgm <sup>2</sup>
<b>Flange material (mod. 17)</b>	aluminium
<b>Hub material</b>	EN-AW 2011 aluminium
<b>Cover material</b>	PA66 glass fiber reinforced
<b>Operating temperature</b>	-20° ... +85°C (-4° ... +185°F)
<b>Storage temperature</b>	-20° ... +85°C (-4° ... +185°F)
<b>Shaft axial play</b>	± 0,1 mm
<b>Shaft eccentricity (plus radial play)</b>	± 0,04 mm
<b>Fixing torque for grub screws</b>	40 cNm max