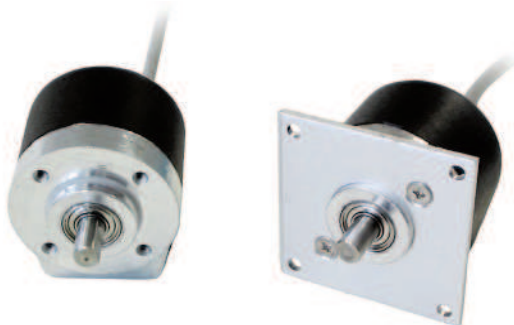


EH 38 A / B / D

SOLID SHAFT INCREMENTAL ENCODER



Specifications

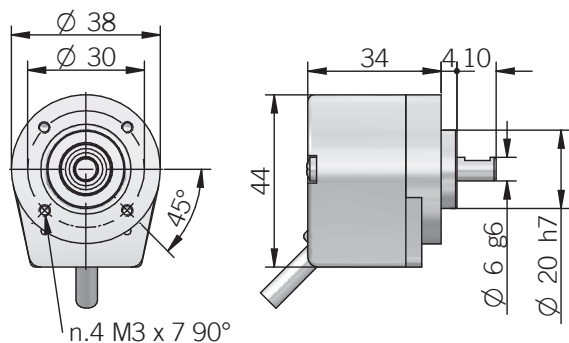
Miniaturized \varnothing 38 mm encoder series for application in small devices. Recommended when a minimal size is required even providing excellent performances.

- 3 channel encoder (A / B / Z) up to 1024 ppr
- Power supply up to +24 VDC with several electronic interfaces available
- Up to 100 kHz output frequency
- Cable output, connectors available on cable end
- Solid shaft diameter up to 6 mm
- Mounting by clamping or centering square flange

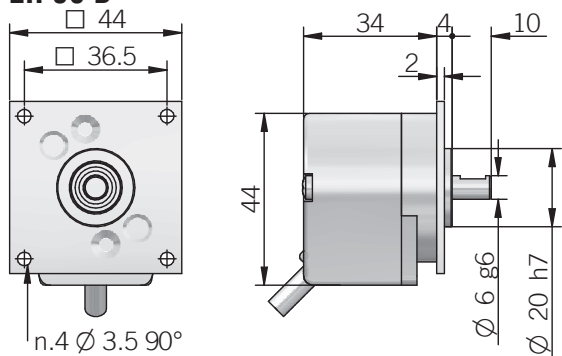
ORDERING CODE	EH	38A	500	S	8/24	P	6	X	3	PR	.XXX
SERIES incremental encoder series EH											
MODEL clamping flange \varnothing 20 mm 38A centering square flange \varnothing 20 mm 38B centering square flange \varnothing 17,46 mm 38D											
RESOLUTION ppr from 50 to 1024 <i>see table for pulses availability</i>											
ZERO PULSE without zero pulse S with zero pulse Z											
POWER SUPPLY 5 V DC 5 8 ... 24 V DC 8/24											
ELECTRONIC INTERFACE NPN N NPN open collector C push-pull P push-pull protected (AEIC-7272) PC line driver L											
SHAFT DIAMETER mm 6											
ENCLOSURE RATING IP 54 X											
MAX ROTATION SPEED 3000 rpm 3											
OUTPUT TYPE radial cable (standard length 0,5 m) PR											
VARIANT custom version XXX											



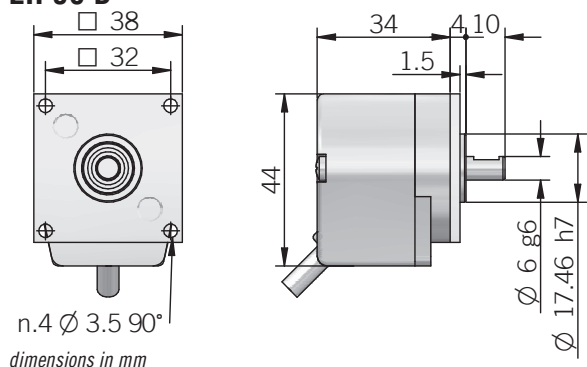
EH 38 A



EH 38 B



EH 38 D



ELECTRICAL SPECIFICATIONS

Resolution	from 50 to 1024 ppr
Power supply	5 = 4,5 ... 5,5 V DC 8/24 = 7,6 ... 25,2 V DC (reverse polarity protection only with PC electronic)
Current consumption without load	100 mA max
Max load current	I _{max} = 50 mA / channel L = 20 mA / channel
Output type*	NPN / NPN open collector / push-pull / line driver
Max output frequency	100 kHz
Counting direction	A leads B clockwise (shaft view)
Electromagnetic compatibility	IEC 61000-6-1 IEC 61000-6-4

*output levels according to power supply, for further details please see under Technical basics section

MECHANICAL SPECIFICATIONS

Shaft diameter	Ø 6 mm
Enclosure rating	IP 54 (IEC 60529)
Max rotation speed	3000 rpm
Max shaft load	5 N axial / radial
Shock	50 G, 11 ms (IEC 60068-2-27)
Vibration	10 G, 10 ... 2000 Hz (IEC 60068-2-6)
Moment of inertia	0,05 x 10 ⁻⁶ kgm ²
Starting torque (at +20°C / +68°F)	< 0,01 Nm
Body material	aluminum UNI 5076
Shaft material	1.4305 / AISI 303 stainless steel
Housing material	PA66 glass fiber reinforced
Bearings	2 ball bearings
Bearings life	10 ⁹ revolutions
Operating temperature	-20° ... +70°C (-4° ... +158°F)
Storage temperature	-20° ... +70°C (-4° ... +158°F)
Weight	150 g (5,29 oz)

CONNECTIONS

Function	Cable output N / C / P / PC	Cable output Line driver
+V DC	red	red
0 V	black	black
Ch. A	green	green
Ch. A-	/	brown
Ch. B	yellow	yellow
Ch. B-	/	orange
Ch. Z	blue	blue
Ch. Z-	/	white
⊕	shield	shield

RESOLUTIONS

50* - 100 - 200 - 250 - 256 - 360 - 400 - 500 - 512 - 1000 - 1024

please directly contact our offices for other pulses, preferred resolutions in bold

*available only without zero pulse