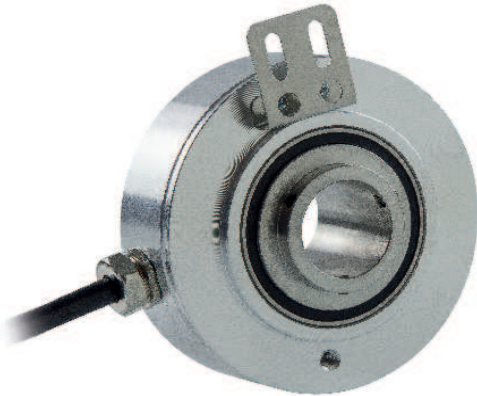


EH - EL 88 P

THROUGH HOLLOW SHAFT INCREMENTAL ENCODER

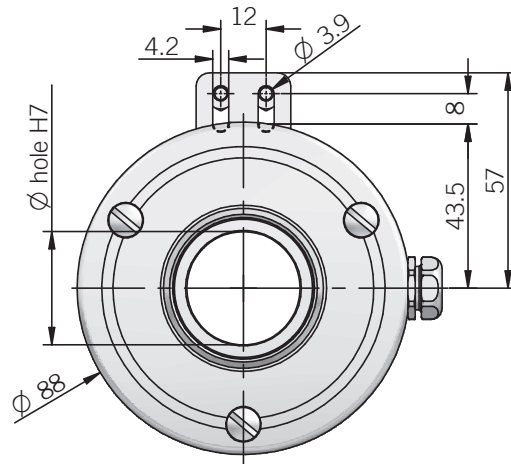
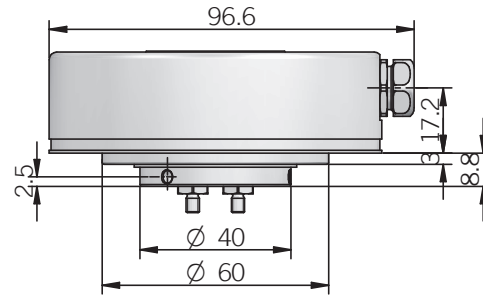
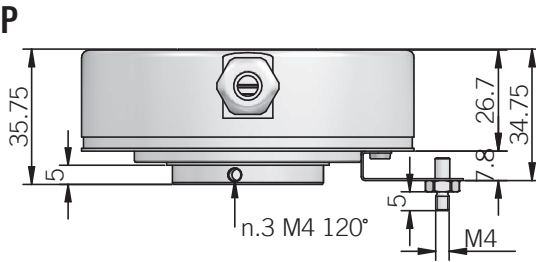


Specifications

ø 88 mm through hollow shaft encoder designed for middle size asynchronous motors.

- 3 channel encoder (A / B / Z) up to 2500 ppr
- Power supply up to +28 VDC with several electronic interfaces available
- Up to 105 kHz output frequency
- Cable output, connector available on cable end
- Sturdy mechanic
- 25 or 30 mm bore diameter, others on request
- Shaft fixing with grub screws

ORDERING CODE	EH	88P	1024	S	5/28	P	30	S	3	PR	.XXX
SERIES incremental encoder series EH incremental encoder series EL											
MODEL through hollow shaft with spring 88P											
RESOLUTION (mod. EH) max ppr 2500 (mod. EL) max ppr 2048 <i>see table for pulses availability</i>											
ZERO PULSE without zero pulse S with zero pulse Z											
POWER SUPPLY (with L electronic interface) 5 V DC 5 (with L or PC electronic interface) 8 ... 24 V DC 8/24 5 ... 28 V DC 5/28											
ELECTRONIC INTERFACE NPN N NPN open collector C push-pull P push-pull protected (AEIC-7272) PC line driver L (mod. EH) power supply 5/28V - output RS-422 RS											
SHAFT DIAMETER mm 25 mm 30 <i>please directly contact our offices for other diameters</i>											
ENCLOSURE RATING IP 65 S											
MAX ROTATION SPEED 3000 rpm 3											
OUTPUT TYPE radial cable (standard length 0,5 m) PR											
VARIANT custom version XXX											

EH - EL 88 P

ELECTRICAL SPECIFICATIONS

Resolution	from 250 to 2500 ppr (EH series) from 2 to 2048 ppr (EL series)
Power supply	5 = 4,5 ... 5,5 V DC 5/28 = 4,75 ... 29,4 V DC 8/24 = 7,6 ... 25,2 V DC (reverse polarity protection)
Current consumption without load	100 mA max
Max load current	N / C / P / PC = 50 mA / channel L / RS = 20 mA / channel
Output type*	NPN / NPN open collector / push-pull / line driver
Max output frequency	105 kHz
Counting direction	A leads B clockwise (shaft view)
Electromagnetic compatibility	IEC 61000-6-2 IEC 61000-6-4

*output levels according to power supply, for further details please see under Technical basics section

CONNECTIONS

Function	Cable output N / C / P / PC	Cable output Line driver
+V DC	red	red
0 V	black	black
Ch. A	green	green
Ch. A-	/	brown
Ch. B	yellow	yellow
Ch. B-	/	orange
Ch. Z	blue	blue
Ch. Z-	/	white
≡	shield	shield

MECHANICAL SPECIFICATIONS

Shaft diameter	∅ 25 / 30 mm
Enclosure rating	IP 65 (IEC 60529)
Max rotation speed	3000 rpm
Shock	50 G, 11 ms (IEC 60068-2-27)
Vibration	20 G, 10 ... 2000 Hz (IEC 60068-2-6)
Moment of inertia	45 x 10 ⁻⁶ kgm ²
Starting torque (at +20°C / +68°F)	< 0,1 Nm
Body material	EN-AW 2011 aluminum
Shaft material	1.4305 / AISI 303 stainless steel
Housing material	EN-AW 2011 aluminum
Bearings	2 ball bearings
Bearings life	10 ⁹ revolutions
Operating temperature	-10° ... +70°C (+14° ... +158°F)
Storage temperature	-25° ... +85°C (-13° ... +185°F)
Fixing torque for grub screws	max 0,75 Nm

EH SERIES RESOLUTIONS

250 - 256 - 500 - **512** - 700 - 720 - **1000** - **1024** - 1440 - 2500

EL SERIES RESOLUTIONS

2 - 5 - 90 - 100 - 200 - **360** - 400 - 600 - 900 - **2000** - 2048

please directly contact our offices for other pulses, preferred resolutions in bold