



EL - EF 49 C / P
THROUGH HOLLOW SHAFT
INCREMENTAL ENCODER



Specifications

ø 49 mm encoder recommended in feedback control systems on AC servomotors, interchangeable with size 19 Resolver.

- Easy mechanical mounting
- Small dimensions
- Wide range of resolutions available
- High temperature resistance

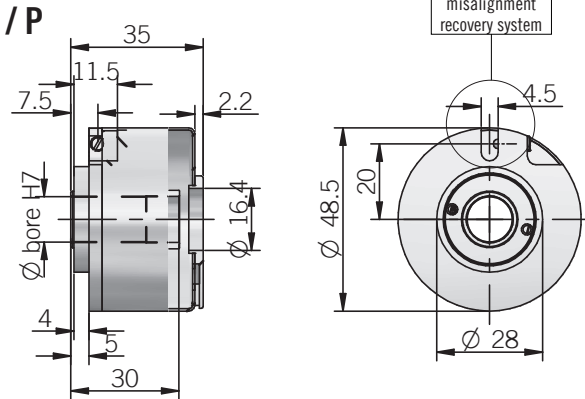
EL series

Basic version with 3 channels incremental outputs. Several output types available

EF series

6 channels encoder with optical generation of “Hall effect phases” (commutation signals) Signal transmission by bit parallel bus

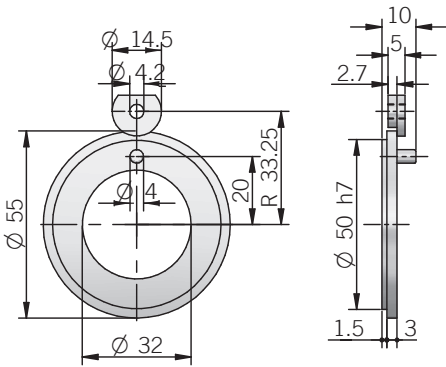
ORDERING CODE	EF	49C	6	L	500	S	5	L	8	X	6	PR	.XXX
SERIES incremental encoder EL incremental encoder with Hall phases EF													
MODEL blind hollow shaft 49C through hollow shaft 49P													
EF MOTOR POLES 4 poles 4 6 poles 6 8 poles 8													
EF ELECTRONIC INTERFACE FOR COMMUTATION SIGNALS NPN open collector C line driver RS-422 L													
RESOLUTION ppr from 100 to 2048 <i>see table for pulses availability</i>													
ZERO PULSE without zero pulse S with zero pulse Z													
POWER SUPPLY 5 V DC 5 (mod. EL) 8 ... 24 V DC 8/24													
ELECTRONIC INTERFACE (mod. EL) NPN N (mod. EL) NPN open collector C (mod. EL) push-pull P line driver L													
BORE DIAMETER mm 6 mm 8 9,52 mm (3/8") 9 mm 10 mm 12 12,7 mm (1/2") 12.7													
ENCLOSURE RATING IP 40 X													
MAX ROTATION SPEED 6000 rpm 6													
OUTPUT TYPE radial cable (standard length 0,3 m) PR													
VARIANT custom version XXX													

EL - EF 19/P


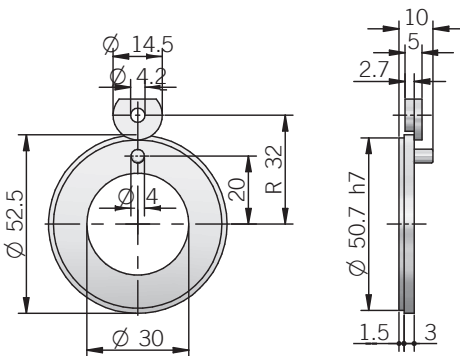
dimensions in mm

ACCESSORIES

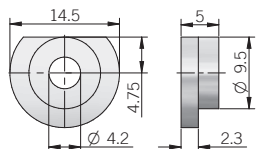
Size 19 resolver flange (01 version) ordering code: **FLG000** (P/N 94010087)



Size 19 resolver flange (14 version) ordering code: **FLG001** (P/N 94010065)



Set n.3 fixing clamps (P/N 94080001)



for mounting instruction please refer to product installation notes

RESOLUTIONS

100 4 / 6 poles - 200 4 / 6 poles - 500 4 / 6 / 8 poles - 512 4 / 6 / 8 poles
 1000 4 / 6 / 8 poles - 1024 4 / 6 / 8 poles - 2000 4 / 6 / 8 poles
 2048 4 / 6 / 8 poles

please directly contact our offices for other pulses

ELECTRICAL SPECIFICATIONS

Resolution	from 100 to 2048 ppr (see table)
Max load current	N / C / P = 30 mA / channel L = 20 mA / channel
Max output frequency	150 kHz
Counting direction	A leads B clockwise (shaft view)
Electromagnetic compatibility	IEC 61000-6-1 IEC 61000-6-3

ELECTRICAL SPECIFICATIONS EL SERIES

Power supply	5 = 4,5 ... 5,5 V DC 8/24 = 7,6 ... 25,2 V DC
Current consumption without load	100 mA max
Output type	NPN / NPN open collector / push-pull / line driver

*output levels according to power supply, for further details please see under Technical basics section

ELECTRICAL SPECIFICATIONS EF SERIES

Power supply	5 = 4,5 ... 5,5 V DC
Current consumption without load	150 mA max
Output type for incremental signals	line driver RS-422
Output type for Hall phases	NPN open collector (max pullup +30V DC) line driver RS-422

MECHANICAL SPECIFICATIONS

Bore diameter	ø 6 / 8 / 9,52 / 10 / 12 / 12,7 mm
Enclosure rating	IP 40 (IEC 60529)
Max rotation speed	6000 rpm
Shock	50 G, 11 ms (IEC 60068-2-27)
Vibration	5 G, 10 ... 500 Hz (IEC 60068-2-6)
Moment of inertia	2 x 10 ⁻⁶ kgm ²
Starting torque (at +20°C / +68°F)	< 0,01 Nm
Body material	EN-AW 2011 aluminum
Shaft material	1.4305 / AISI 303 stainless steel
Housing material	nickel plated brass
Bearings	2 ball bearings
Bearings life	10 ⁹ revolutions
Operating temperature	-20° ... +85° C (-4° ... +185°F) -10° ... +100° C (+14° ... +212°F) on demand
Storage temperature	-25° ... +85° C (-13° ... +185°F)
Weight	150 g (5,29 oz)

CONNECTIONS

Function	EL cable output	EL cable output	EF cable output
	N / C / P	Line driver	
+V DC	red	red	red
0 V	black	black	black
Ch. A	green	green	green
Ch. B	yellow	yellow	yellow
Ch. Z	blue	blue	blue
Ch. A-	/	brown	brown
Ch. B-	/	orange	orange or pink
Ch. Z-	/	white	white
Ch. U	/	/	grey
Ch. V	/	/	violet
Ch. W	/	/	grey-pink
Ch. U-	/	/	red-blue
Ch. V-	/	/	white-green
Ch. W-	/	/	brown-green
⊥	shield	shield	shield