

EMI 22 A

MAGNETIC INCREMENTAL KIT ENCODER

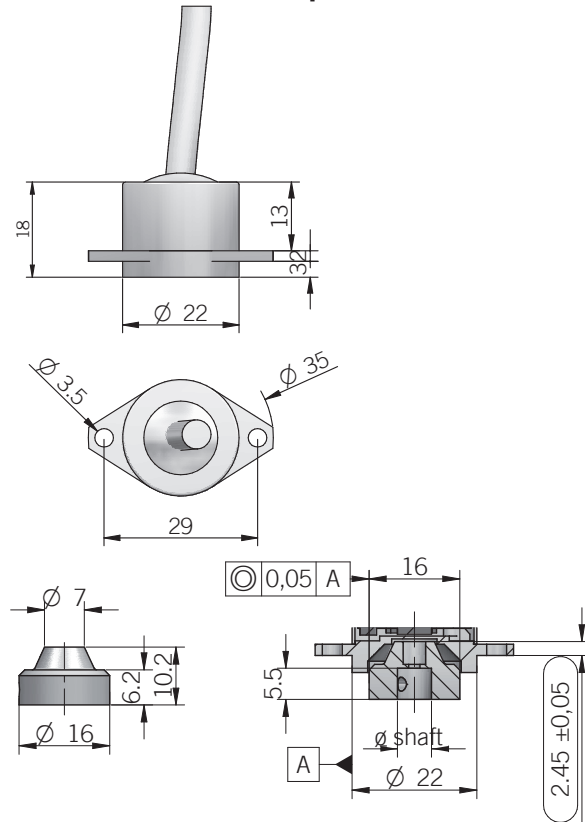
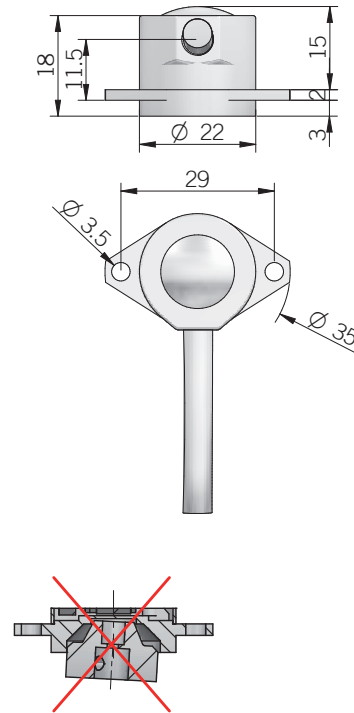


Specifications

EMI series encoders are suitable for several application fields like electric motors marine industry, iron and steel industry, textile machines, wood-working, paper-working, glass working, marble-working machinery and, more generally, automation and process control fields.

- 3 channel encoder (A / B / Z) up to 2048 ppr
- Cable output, connector available on cable end
- Compact dimensions
- No wear due to no contact magnetic technology
- Bore shaft diameter up to 10 mm
- IP 67 enclosure rating
- Wide operating temperature -40° ... +125°C (-40° ... +257°F)

ORDERING CODE	EMI	22A	1024	Z	5	P	6	S	10	P	R	.XXX
SERIES magnetic incremental encoder series EMI												
MODEL clamping flange ø 22 mm 22A <i>for anodized version please directly contact our offices</i>												
RESOLUTION ppr from 2 to 2048 <i>see table for pulses availability</i>												
ZERO PULSE without zero pulse S with zero pulse Z												
POWER SUPPLY 5 V DC 5												
ELECTRONIC INTERFACE push-pull P line driver RS-422 L												
MAGNET-ACTUATOR BORE DIAMETER mm 6 mm 8 9,52 (3/8") mm 9 mm 10												
ENCLOSURE RATING IP 67 S												
MAX ROTATION SPEED 10000 rpm 10												
OUTPUT TYPE cable (standard length 0,5 m) P												
DIRECTION TYPE axial A radial R												
VARIANT custom version XXX												

EMI 22 axial cable output

EMI 22 radial cable output

ELECTRICAL SPECIFICATIONS

Resolution	from 2 to 2048 ppr
Power supply	5 = 4,5 ... 5,5 V DC
Current consumption without load	100 mA max
Max load current	15 mA / channel
Output type*	push-pull / line driver RS-422
Max output frequency	205 kHz
Counting direction	A leads B with clockwise rotation (magnet-actuator view)
Accuracy	± 0,35° typical / ± 0,50° max
Electromagnetic	IEC 61000-6-2 IEC 61000-6-3

MECHANICAL SPECIFICATIONS

Bore diameter (magnet-actuator)	∅ 6 / 8 / 9,52 (3/8") / 10 mm
Enclosure rating	IP 67 (IEC 60529)
Max rotation speed	10000 rpm
Shock	50 G, 11 ms (IEC 60068-2-27)
Vibration	10 G, 10 ... 2000 Hz (IEC 60068-2-6)
Moment of inertia (magnet-actuator)	0,1 x 10 ⁻⁶ kgm
Body material	EN-AW 2011 aluminum
Shaft material	EN-AW 2011 aluminum
Housing material	EN-AW 2011 aluminum
Operating temperature	-40° ... +125°C (-40° ... +257°F)
Storage temperature	-25° ... +85°C (-13° ... +185°F)
Weight	30 g (1,06 oz)
Magnet actuator mounting tolerances (to get best electrical performances)	± 0,2 mm (axial) ± 0,1 mm (radial)

CONNECTIONS

Function	Cable output Push-pull	Cable output Line driver
+V DC	red	red
0 V	black	black
Ch. A	green	green
Ch. A-	/	brown
Ch. B	yellow	yellow
Ch. B-	/	orange
Ch. Z	blue	blue
Ch. Z-	/	white
⊥	shield	shield

RESOLUTIONS

2 - 4 - 8 - 10 - 16 - 20 - 32 - 40 - 64 - 80 - 100 - 125 - 128 - 200 - 250 - 256 - 400 - 500 - 512 - 1024 - 2048

please directly contact our offices for other pulses