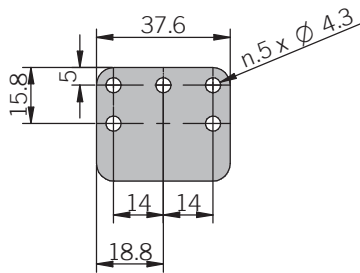


ACCESSORIES

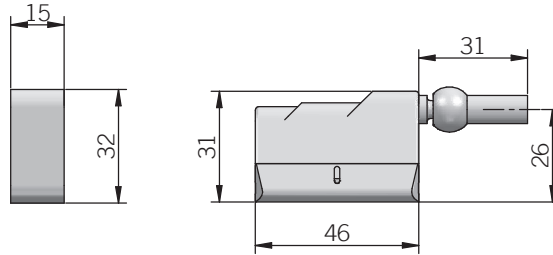
FOR LINEAR POTENTIOMETER / MAGNETOSTRICTIVE

CURSORS FOR EMSPA - EMSPB - EMSPS

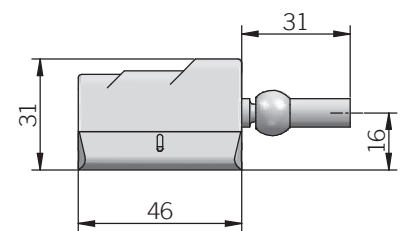
Floating cursor EMS-CSF
P/N 95490012



Sliding cursor axial joint high EMS-CSA
P/N 95490000

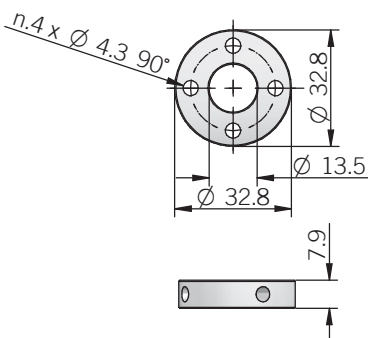


Sliding cursor axial joint low EMS-CSB
P/N 95490001

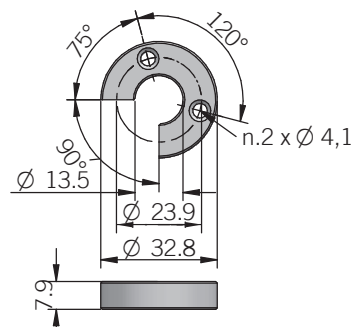


FLOATING CURSORS FOR EMSSA - EMSSS

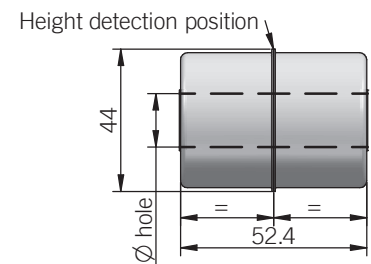
Floating cursor EMS-CAA



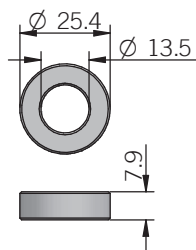
Floating cursor EMS-CAB



Floating cursor for liquids EMS-CAG12 / EMS-CAG15

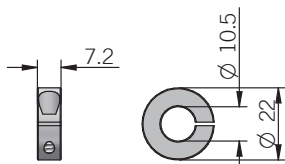


Floating cursor EMS-CAC



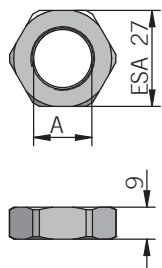
Description	P/N	Material	Supplied with
EMS-CAA	95590000	aluminum	n.4 M4 brass nuts n.8 D4 brass washers n.4 M4x25 brass screws
EMS-CAB	95590001	aluminum	n.4 M4 brass nuts n.4 D4 brass washers n.2 M4x25 brass screws
EMS-CAC	95590011	aluminum	/
EMS-CAG12	95590012	AISI 316 stainless steel	12 mm hole
EMS-CAG15	95590013	AISI 316 stainless steel	15 mm hole

COLLAR CLAMPING FOR EMS-CAG12 / EMS-CAG15



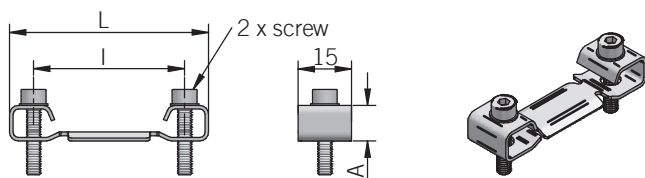
Description	P/N	Material	Supplied with
EMS-FG01	95590014	AISI 316 stainless steel	n.1 D3 AISI 316 washer n.1 M3x8 AISI 316 screw

HEX NUT FOR EMSSA - EMSSS



Description	P/N	Material	A
EMS-CD01	95590010	AISI 316 stainless steel	M18 x 1,5
EMS-CD02	95590015	AISI 316 stainless steel	3/4" - 16UNF

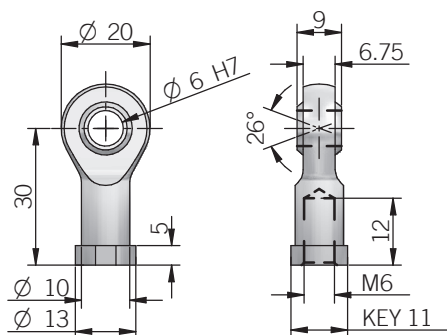
BRACKETS FOR EMSPA - EMSPB - EMSPS



Description	P/N	Center-to-center (l)	Overall dimension (L)	Height (A)	Screw (M)
EMSPA-EMSPS-ST42	95490011	42,5	56	12,4	M4
EMSPA-EMSPS-ST50	95490010	50	63,5	12,4	M5
EMSPB-ST42	95490022	42,5	56	10	M4
EMSPB-ST50	95490026	50	63,5	10	M5

EPLA BALL JOINT FOR EPLA

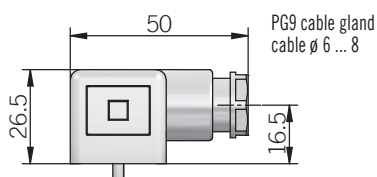
EPLA-SN01
Ball joint ϕ 6
P/N 95390003



CONNECTORS

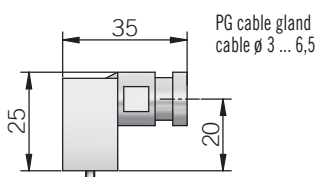
For models EPLA - EPLC - EMSPB

EPLA/C-EMSPB C04FV 90° (IP 65)
DIN 43650-A (4 pin)
female connector
P/N 95390004



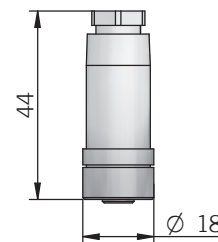
For model EPLB

EPLB-C04FV 90° (IP 65)
DIN 43650-C (4 pin)
female connector
P/N 95390001



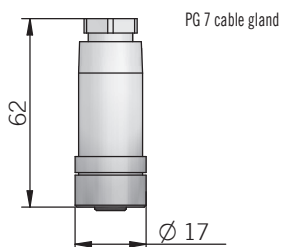
For model EPLA - EPLB

EPL-C03FV (IP 40)
3 pin
female connector
P/N 95390002



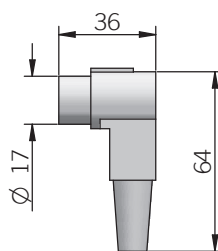
For models EPLA - EPLB - EPLC - EPLT

EPL-C05FV (IP 67)
DIN 43322 (5 pin)
female connector
P/N 95390005



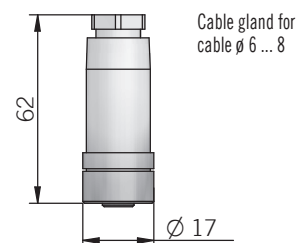
For models EPLA - EPLB - EPLC - EPLT

EPL-C05FV 90° (IP 40)
DIN 43322 (5 pin)
female connector
P/N 95390007



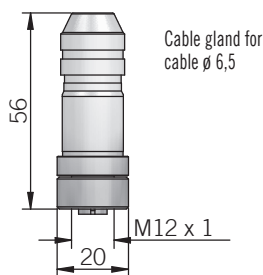
For models EMSPA - EMSPS

EMS-C08FV (IP 67)
M16 DIN 45326 (8 pin)
female connector
P/N 95490025



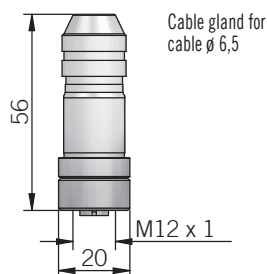
For models EMSPA - EMSPB

EMS-S05FV (IP 67)
M12 A coded (5 pin)
female connector
P/N 95490002



For models EMSPA - EMSPS

EMS-S08FV (IP 67)
M12 A coded (8 pin)
female connector
P/N 95490024



For models EMSPA - EMSPS - EMSSA - EMSSS

EMS-C06FV (IP 67)
M16 DIN 45322 (6 pin)
female connector
P/N 95490015

